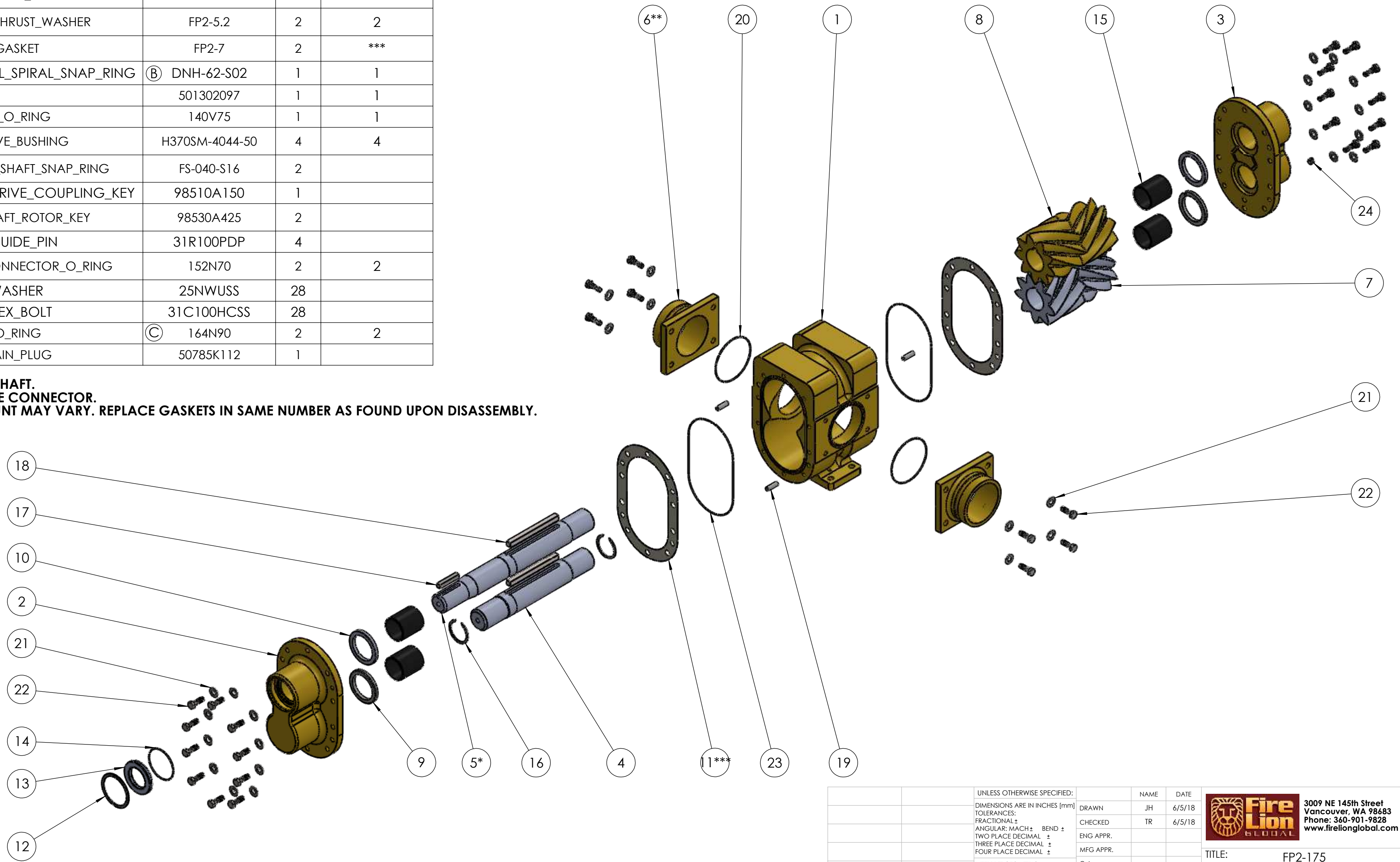


ITEM NO.	DESCRIPTION	PART NUMBER	QTY.	2 YEAR REPLACEMENT PART QTY.
1	FP2_175_BODY	FP2-175-2.1	1	
2	FP2_FRONT_ENDCOVER	FP2-2.2	1	
3	FP2_BACK_ENDCOVER	FP2-2.3	1	
4	FP2_175_IDLE_SHAFT	FP2-175-1.1	1	
5*	FP2_175_DRIVE_SHAFT	FP2-175-1.2	1	
6**	FP3_GROOVE_CONNECTOR	FP3-3.2	2	
7	FP2_175_IDLE_ROTOR	FP2-175-4.1	1	
8	FP2_175_DRIVE_ROTOR	FP2-175-4.2	1	
9	FP2_IDLE_THRUST_WASHER	FP2-5.1	2	2
10	FP2_DRIVE_THRUST_WASHER	FP2-5.2	2	2
11***	FP2_BODY_GASKET	FP2-7	2	***
12	40MM_SEAL_SPIRAL_SNAP_RING	(B) DNH-62-S02	1	1
13	40MM_SEAL	501302097	1	1
14	40MM_SEAL_O_RING	140V75	1	1
15	40MM_SLEEVE_BUSHING	H370SM-4044-50	4	4
16	40MM_IDLE_SHAFT_SNAP_RING	FS-040-S16	2	
17	0.3125IN_DRIVE_COUPLING_KEY	98510A150	1	
18	FP2_175_SHAFT_ROTOR_KEY	98530A425	2	
19	0.3125IN_GUIDE_PIN	31R100PDP	4	
20	FP2_175_CONNECTOR_O_RING	152N70	2	2
21	0.3125IN_WASHER	25NWUSS	28	
22	0.3125IN_HEX_BOLT	31C100HCSS	28	
23	FP2_BODY_O_RING	(C) 164N90	2	2
24	0.125IN_DRAIN_PLUG	50785K112	1	

*OPTION FOR SPLINE SHAFT.
 **OPTION FOR FLANGE CONNECTOR.
 ***BODY GASKET COUNT MAY VARY. REPLACE GASKETS IN SAME NUMBER AS FOUND UPON DISASSEMBLY.



PROPRIETARY AND CONFIDENTIAL
 THE INFORMATION CONTAINED IN THIS DRAWING IS THE SOLE PROPERTY OF FIRE LION GLOBAL LLC. ANY REPRODUCTION IN PART OR AS A WHOLE WITHOUT THE WRITTEN PERMISSION OF FIRE LION GLOBAL LLC IS PROHIBITED.

UNLESS OTHERWISE SPECIFIED:		NAME	DATE
DIMENSIONS ARE IN INCHES [mm]		JH	6/5/18
TOLERANCES:		TR	6/5/18
FRACTIONAL ±			
ANGULAR: MACH ± BEND ±			
TWO PLACE DECIMAL ±			
THREE PLACE DECIMAL ±			
FOUR PLACE DECIMAL ±			
INTERPRET GEOMETRIC TOLERANCING PER:			
MATERIAL			
FINISH			
NEXT ASSY	USED ON	COMMENTS:	
		FP2-175 RECOMENDED 2 YEAR REPLACEMENT PARTS	
APPLICATION	DO NOT SCALE DRAWING		



3009 NE 145th Street
 Vancouver, WA 98683
 Phone: 360-901-9828
 www.firelionglobal.com

TITLE:		FP2-175	
2 YEAR REPLACEMENT PARTS			
SIZE	DWG. NO.	REV	
C	FP2-175-RP	A	
SCALE: 1:5	WEIGHT:	SHEET 2 OF 2	