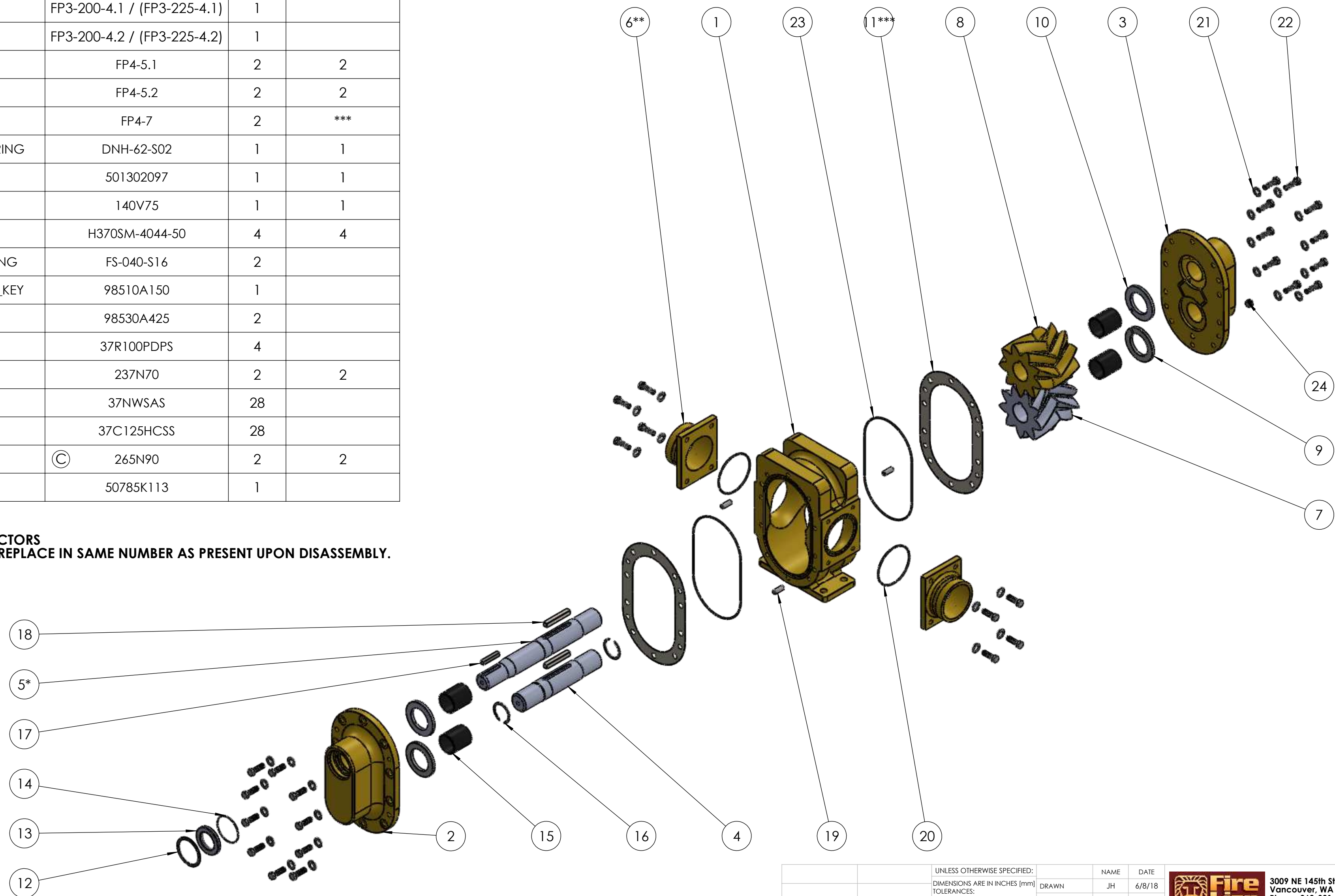


ITEM NO.	DESCRIPTION	PART NUMBER FP3-200 / (FP3-225)	QTY.	2 YEAR REPLACEMENT PARTS
1	FP3_BODY	FP3-200-2.1 / (FP3-225-2.1)	1	
2	FP4_FRONT_ENDCOVER	FP4-2.2	1	
3	FP4_BACK_ENDCOVER	FP4-2.3	1	
4	FP3_IDLE_SHAFT	FP3-200-1.1 / (FP3-225-1.1)	1	
5*	FP3_DRIVE_SHAFT	FP3-200-1.2 / (FP3-225-1.2)	1	
6**	FP3_GROOVE_CONNECTOR	FP3-3.2	2	
7	FP3_IDLE_ROTATOR	FP3-200-4.1 / (FP3-225-4.1)	1	
8	FP3_DRIVE_ROTATOR	FP3-200-4.2 / (FP3-225-4.2)	1	
9	FP4_IDLE_THRUST_WASHER	FP4-5.1	2	2
10	FP4_DRIVE_THRUST_WASHER	FP4-5.2	2	2
11***	FP3&FP4_BODY_GASKET	FP4-7	2	***
12	40MM_SEAL_SPIRAL_SNAP_RING	DNH-62-S02	1	1
13	40MM_SEAL	501302097	1	1
14	40MM_SEAL_O_RING	140V75	1	1
15	40MM_SLEEVE_BUSHING	H370SM-4044-50	4	4
16	40MM_IDLE_SHAFT_SNAP_RING	FS-040-S16	2	
17	0.3125IN_DRIVE_COUPLING_KEY	98510A150	1	
18	FP3_SHAFT_ROTATOR_KEY	98530A425	2	
19	0.375IN_GUIDE_PIN	37R100PDPS	4	
20	FP3_CONNECTOR_O_RING	237N70	2	2
21	0.375IN_WASHER	37NWSAS	28	
22	0.375IN_HEX_BOLT	37C125HCSS	28	
23	FP3&FP4_BODY_O_RING	© 265N90	2	2
24	0.25IN_DRAIN_PLUG	50785K113	1	

*OPTION FOR SPLINE SHAFT.
 **OPTION FOR FLANGE CONNECTORS
 ***GASKET COUNT MAY VARY. REPLACE IN SAME NUMBER AS PRESENT UPON DISASSEMBLY.



PROPRIETARY AND CONFIDENTIAL
 THE INFORMATION CONTAINED IN THIS DRAWING IS THE SOLE PROPERTY OF FIRE LION GLOBAL LLC. ANY REPRODUCTION IN PART OR AS A WHOLE WITHOUT THE WRITTEN PERMISSION OF FIRE LION GLOBAL LLC IS PROHIBITED.

UNLESS OTHERWISE SPECIFIED:		NAME	DATE
DIMENSIONS ARE IN INCHES [mm]		JH	6/8/18
TOLERANCES:		TR	6/8/18
FRACTIONAL ±1/2			
ANGULAR: MACH ±1 BEND ±2			
TWO PLACE DECIMAL ±0.25			
THREE PLACE DECIMAL ±0.125			
FOUR PLACE DECIMAL ±0.0625			
INTERPRET GEOMETRIC TOLERANCING PER:			
MATERIAL			
FINISH			
NEXT ASSY	USED ON	COMMENTS:	
		FP2-200 & FP2-225 RECOMMENDED 2 YEAR REPLACEMENT PARTS	
APPLICATION	DO NOT SCALE DRAWING		

		3009 NE 145th Street Vancouver, WA 98683 Phone: 360-901-9828 www.firelionglobal.com	
TITLE: FP3-200 & FP3-225 2 YEAR REPLACEMENT PARTS			
SIZE	DWG. NO.	REV	
C	FP3-200/225-RP	A	
SCALE: 1:5	WEIGHT:	SHEET 2 OF 2	