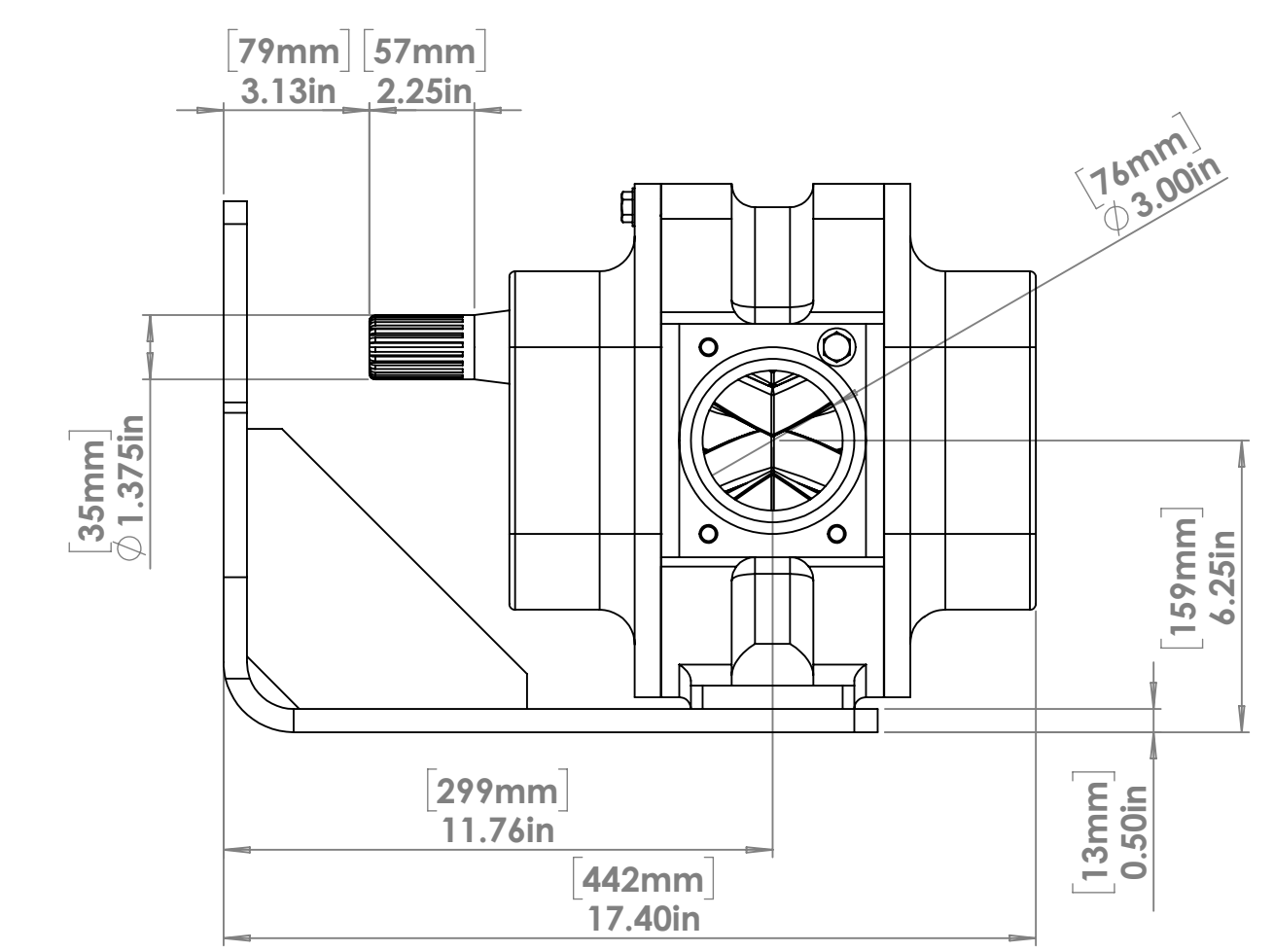
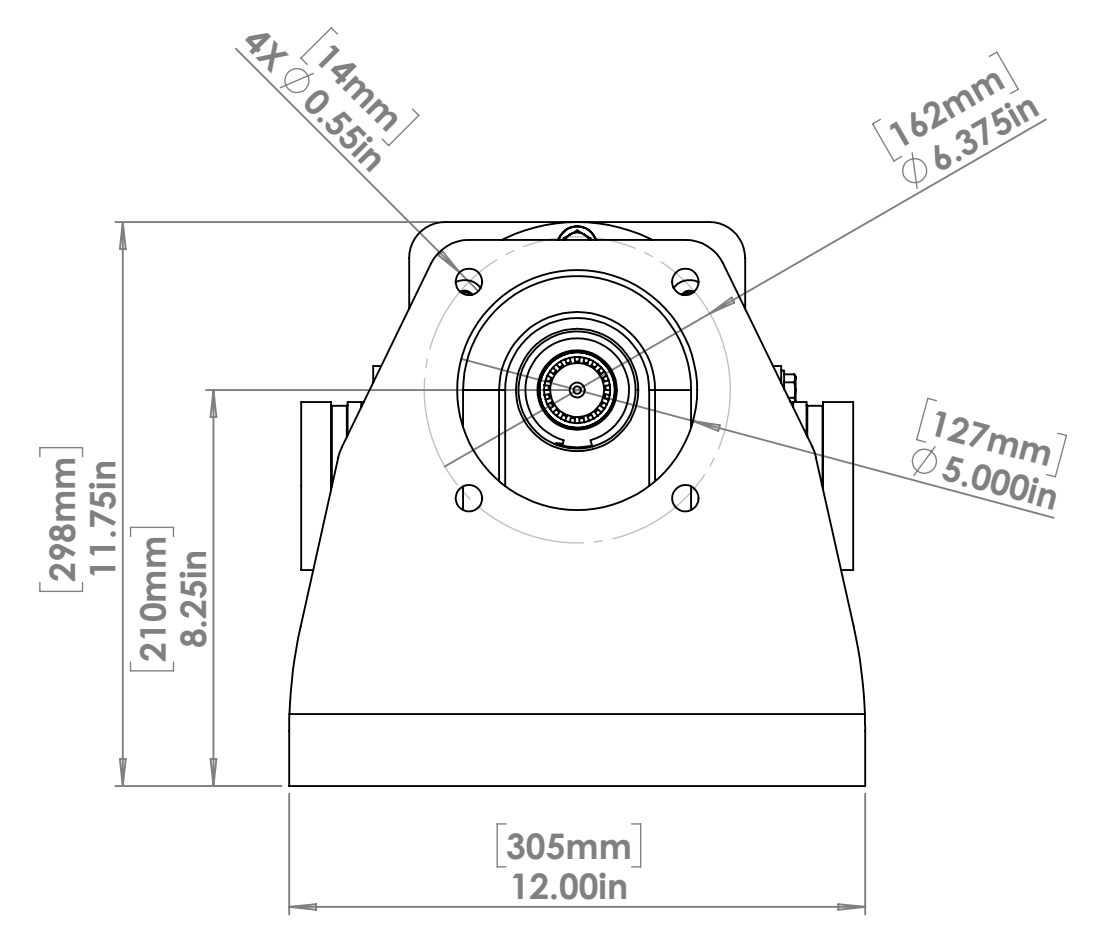
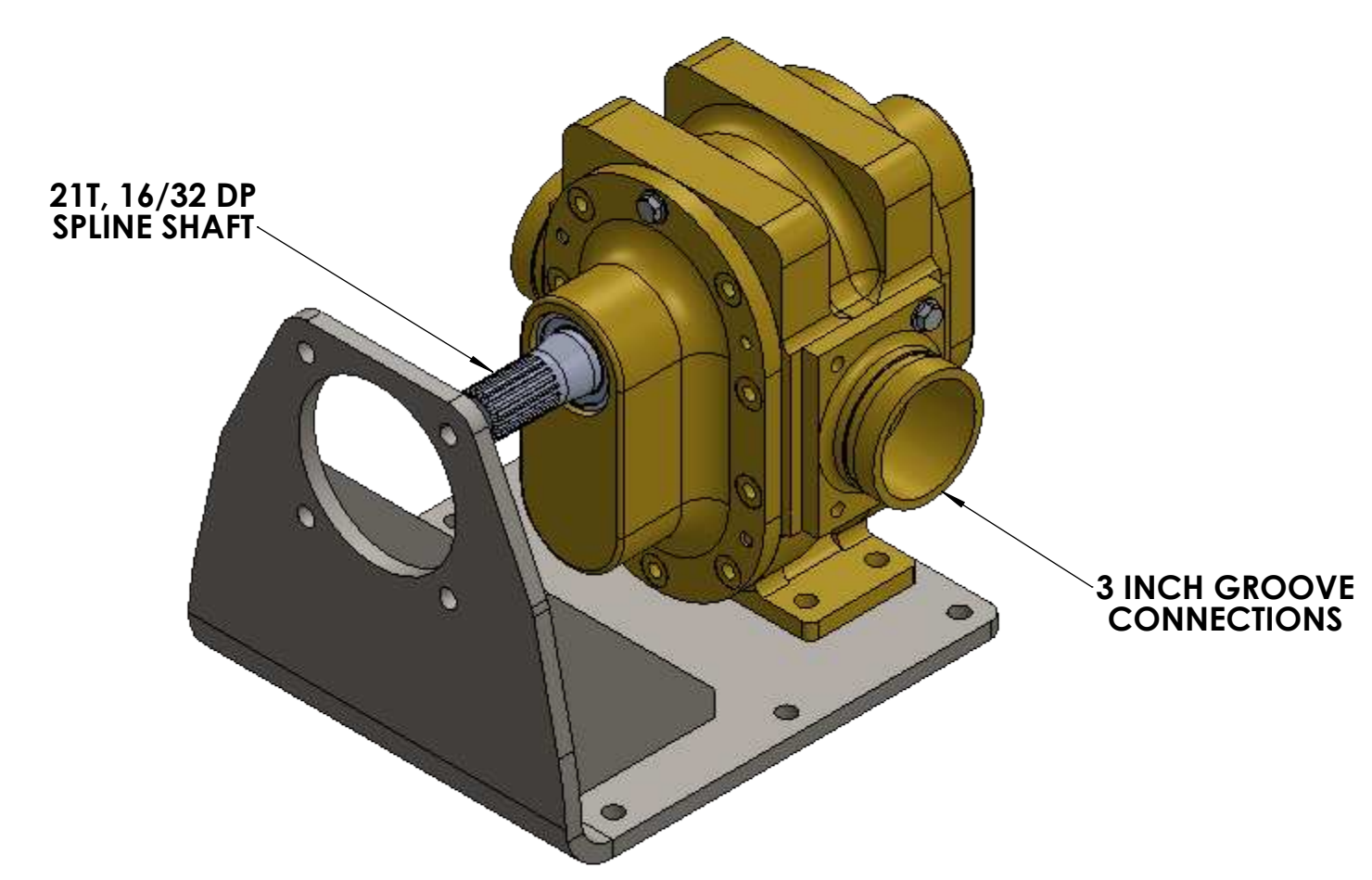
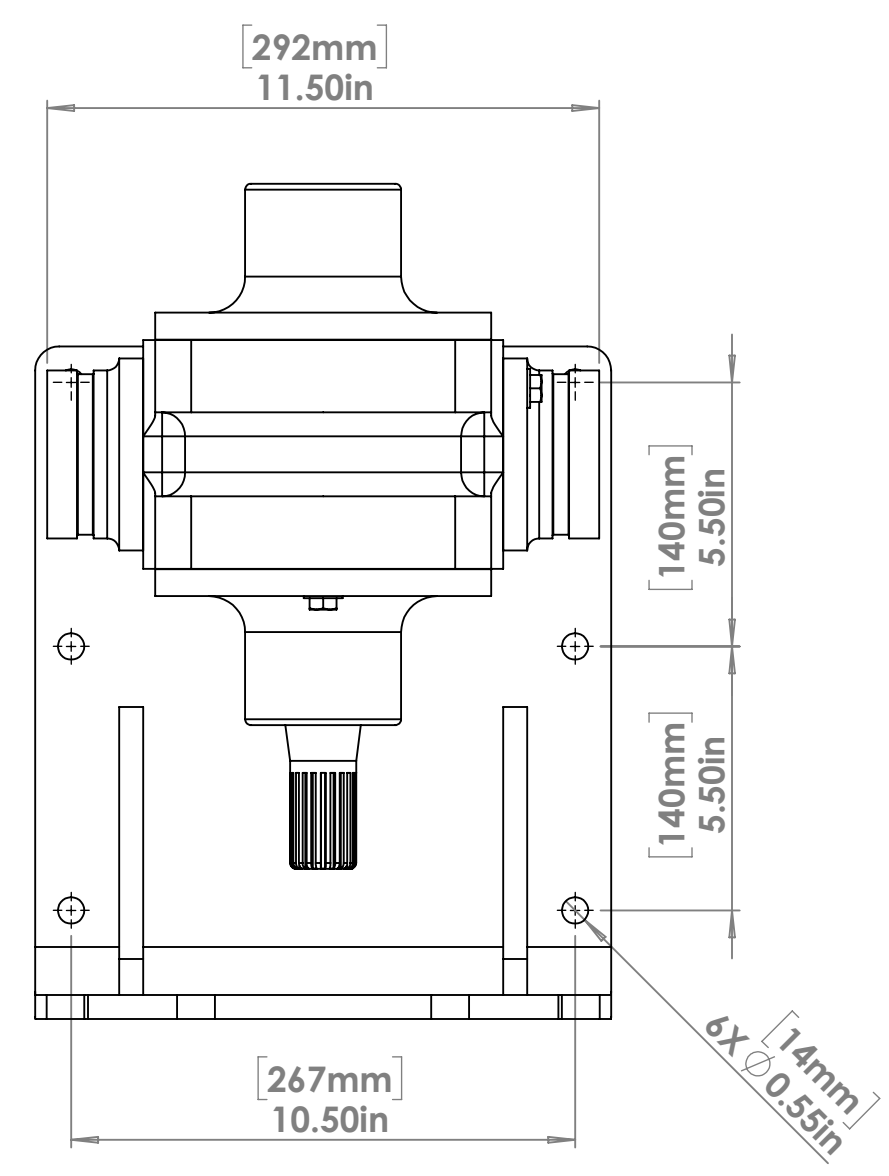


REVISIONS				
ZONE	REV.	DESCRIPTION	DATE	APPROVED
	A	APPROVED SUBMITTAL	09/12/2016	09/12/2016



**NOTES**

1. HYDRAULIC DRIVE BRACKET IS DESIGNED FOR USE WITH THE 'SAE C' SIZED HYDRAULIC MOTORS.
2. FLANGED CONNECTOR OPTION AVAILABLE (SEE REPRESENTATIVE FOR DETAILS).
3. OTHER OPTIONS EXIST - PLEASE CONTACT FIRE LION.

**PROPRIETARY AND CONFIDENTIAL**  
 THE INFORMATION CONTAINED IN THIS DRAWING IS THE SOLE PROPERTY OF FIRE LION GLOBAL LLC. ANY REPRODUCTION IN PART OR AS A WHOLE WITHOUT THE WRITTEN PERMISSION OF FIRE LION GLOBAL LLC IS PROHIBITED.

UNLESS OTHERWISE SPECIFIED: DIMENSIONS ARE IN INCHES [mm] TOLERANCES: FRACTIONAL: ±1/4 ANGULAR: MACH ±1 BEND ±1 TWO PLACE DECIMAL ±0.125 THREE PLACE DECIMAL ±0.010 FOUR PLACE DECIMAL ±0.005		NAME	DATE
DRAWN	SK	09/12/16	
CHECKED	TR	09/12/16	
ENG APPR.			
MFG APPR.			
INTERPRET GEOMETRIC TOLERANCING PER:		Q.A.	
MATERIAL		COMMENTS:	
FINISH		FP3-225 - PUMP ASSEMBLY - GROOVE CONNECTORS - SPLINE SHAFT - HYDRAULIC DRIVE BRACKET	
NEXT ASSY	USED ON		
APPLICATION		DO NOT SCALE DRAWING	



**TITLE:** FP3-225 - BRACKET ASSEMBLY  
**SIZE:** DWG. NO. FP3-225-0.2.1.1  
**REV:** A  
**SCALE:** 1:4 **WEIGHT:** **SHEET 1 OF 1**