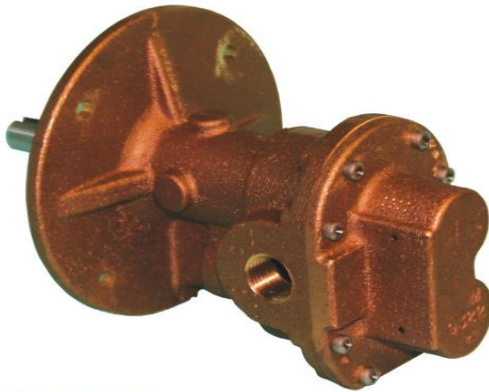




JOCKEY PUMP

Model H994 - 1/2" NPT Ports



FEATURES:

- High strength Navy M Bronze housing
- Rugged bronze spur gears
- Hardened stainless steel shafts
- Silicon carbide bearings
- 300 PSI pressure capability
- Mechanical seal
- Oring housing seal
- Bidirectional
- Easy field assembly to footed NEMA C-Face and IEC B14 Motors*

GENERAL DESCRIPTION:

Gear pumps are positive displacement pumps. Each shaft revolution displaces a definite amount of liquid relatively unaffected by the back pressure in the discharge line. Shaft speed and flow are directly proportional.

DRIVE ARRANGEMENT:

Close coupled pumps are mounted directly to the electric motor by means of a suitable adapter bracket. The pump drive shaft is connected to the motor shaft by a flexible coupling.

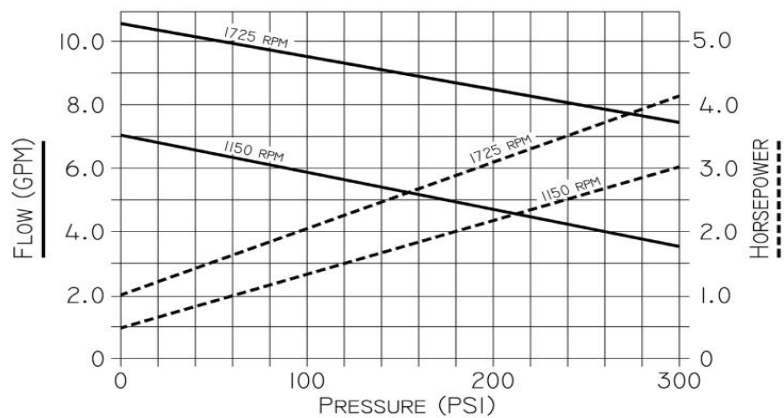
LIQUIDS AND TEMPERATURE:

These pumps are suitable for all liquids that are compatible with bronze. Most common liquids are water, oil, and mild chemicals in the pH-range of 4 to 11. Viscous liquids require reduced shaft speeds of 1150 RPM or lower. Consult factory.

Liquids containing solids, abrasives, powders or paint pigments are definitely not recommended for gear pumps. If abrasives are unavoidable, use a very low shaft speed. See pricebook for the recommended liquid temperature range of mechanical seals.

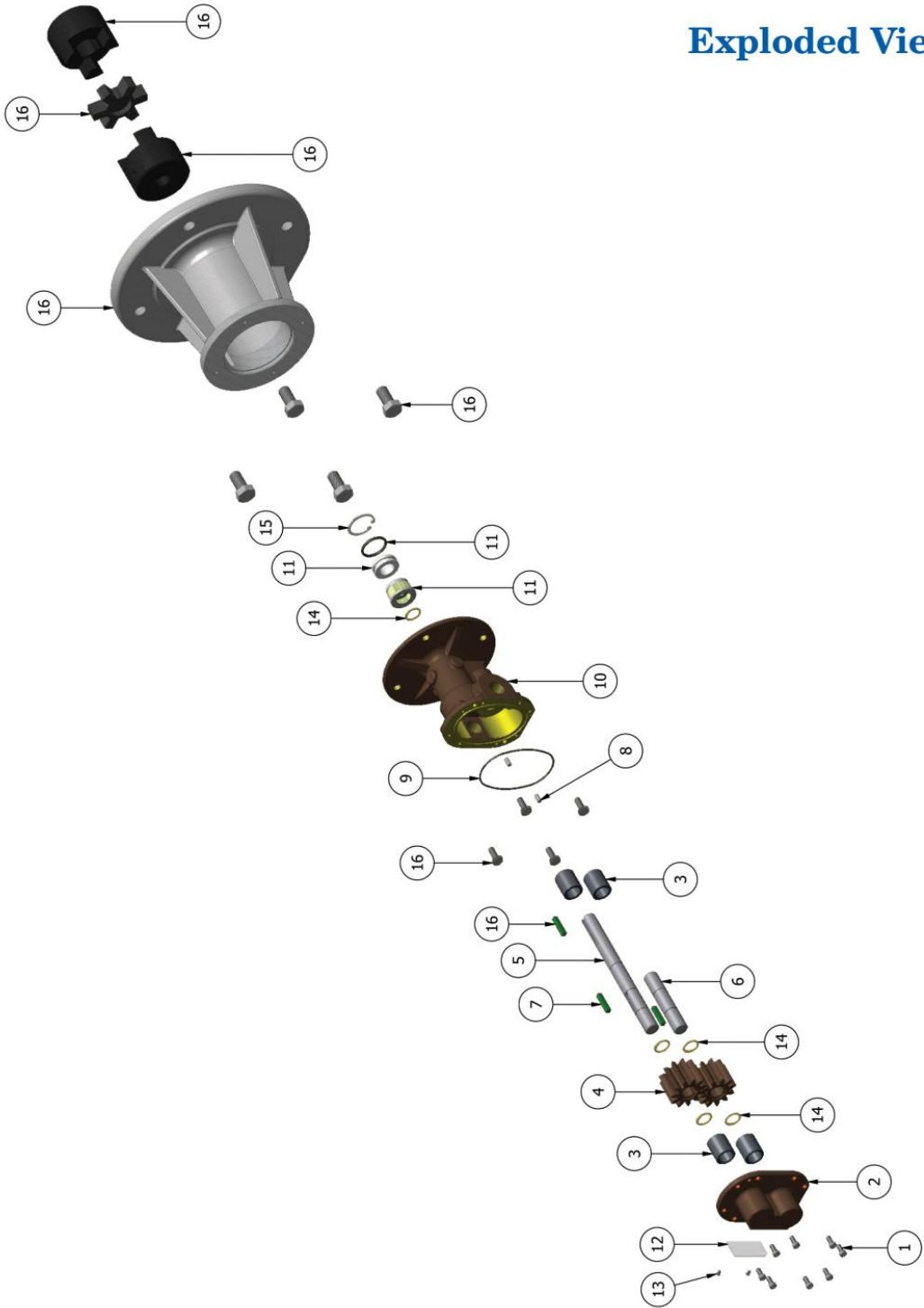
PERFORMANCE:

Capacity - Water 70° F

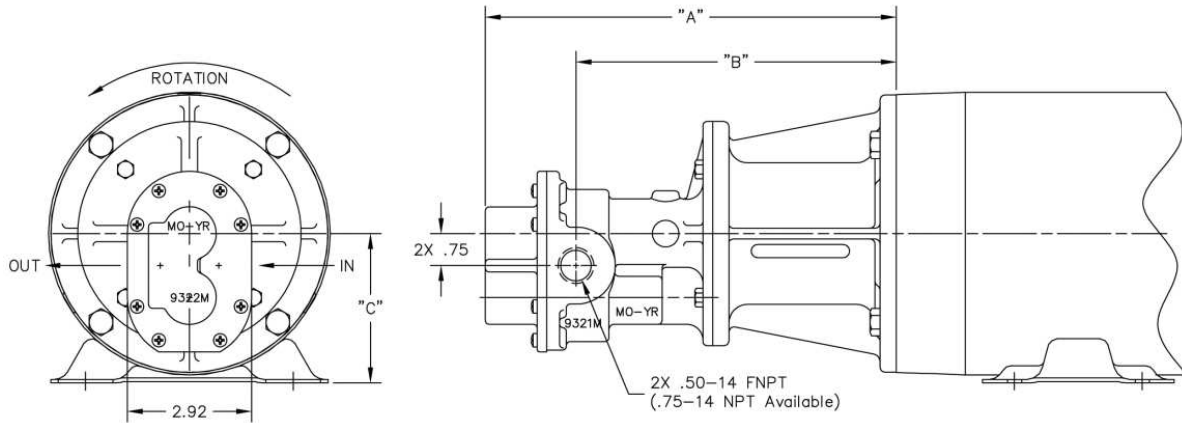


* See "Adapter Kits" chart

Exploded View



Dimensions



Motor/Adapter Kit Dimensions (inches)				
Model	Motor Frame	"A"	"B"	"C"
H994S16 OR S17H	56C	9.66	7.53	3.50
H994S16 OR S17J	143TC/145TC	9.66	7.53	3.50
H994S16 OR S17K	182TC/184TC	10.48	8.34	4.50
H994S16 OR S17L	213TC/215TC	10.48	8.34	5.25

Adapter Kits		
Adapter Kit	Part Number	Description
H	11299	56C Frame
J	11300	143TC/145TC
K	11301	182TC/184TC
L	11302	213TC/215TC

14707 NE 13th Court, Suite B100, Vancouver, Washington 98685

Phone: 360-574-9068 Email: info@firelionglobal.com