

# FIRE LION

G L O B A L

## FM APPROVED PRESSURE RELIEF VALVE

- ALL BRONZE VALVE BODY WITH STAINLESS DISC
- SET PRESSURE RANGE FROM 100 PSI TO 275 PSIG
- VALVE INLET AND OUTLET ARE THREADED - NPT
- ALL VALVES ARE MADE IN USA
- VALVES ARE FACTORY ASSEMBLED & PRESSURE SET AT FIRELION - TYPICALLY AT 10% ABOVE PUMP DISCHARGE OR HIGHER- DEPENDING ON APPLICATION AND SPECIFICATION
- EACH VALVE HAS BEEN TESTED TO UL 448C STANDARDS
- EACH VALVE IS FM APPROVED PER 1313/1359 STANDARDS
- TESTED FOR LEAK-FREE PERFORMANCE AT 85% OF SET PRESSURE
- RESEAT PRESSURE CALIBRATED AT 90% OF SET PRESSURE

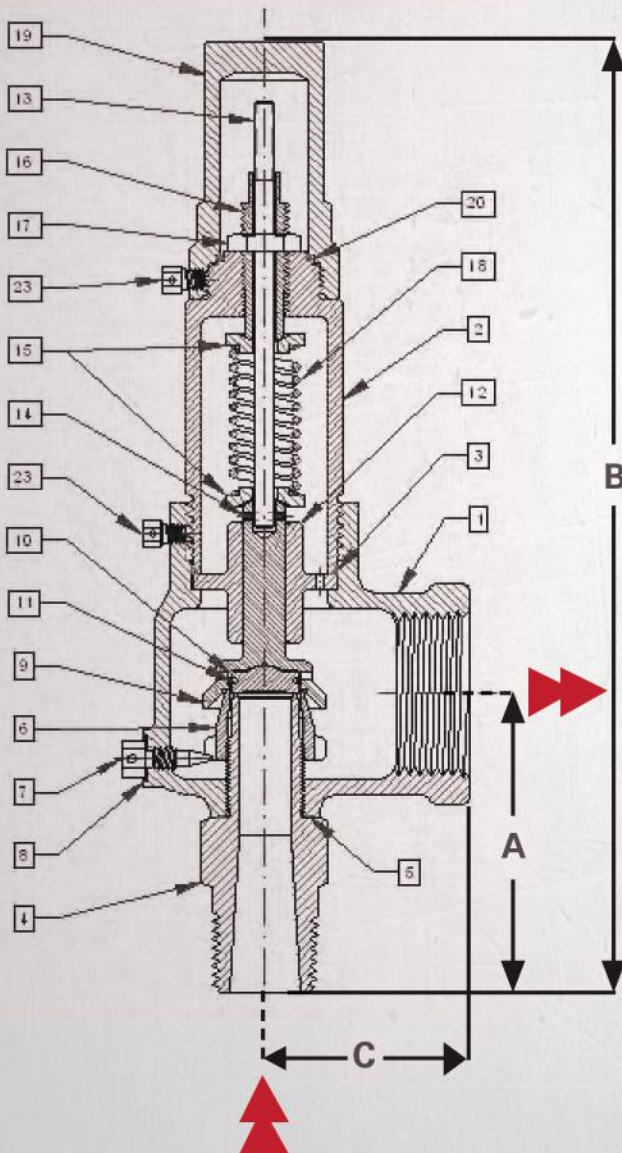




# PRESSURE RELIEF VALVES

## Dimensions

Item	Description	Available Sizes				
		3/4"x 1"	1"x1-1/2"	1-1/2" x 2"	2"x 2-1/2"	2" x 3"
A	Base to Outlet Height	2.38"	2.83"	3.25"	3.50"	4.00"
B	Overall Height	7.54"	10.25"	13.26"	15.07"	17.16"
C	Valve Center to Outlet	1.63"	2.38"	2.68"	2.75"	3.25"



## Materials of Construction

Item	Component	Material
1	Body	Bronze, ASTM B584
2	Bonnet	Brass/Bronze ASTM B16/8584
3	Bonnet Seal	PTFE
4	Nozzle	Brass, ASTM B16
5	Nozzle Seal	PTFE
6	Nozzle Ring	Stainless Steel ASTM A351-CF8M
7	Set Screw	Brass, ASTM B16
8	Set Screw Seal	PTFE
9	Disc Holder	Brass, ASTM B16
10	Disc Holder	Stainless Steel ASTM A479
11	Retaining Ring	Stainless Steel
12	Guide	Brass, ASTM B16
13	Stem	Stainless Steel ASTM A479
14	Spring Pin	Stainless Steel
15	Spring Washer	Brass ASTM B16
16	Adjusting Bolt	Brass ASTM B16
17	Lock Nut	Brass ASTM B16
18	Spring	Stainless Steel
19	Cap	Brass ASTM B16
20	O-Ring	Viton
	Nameplate	Stainless Steel
	Drive Screw	Stainless Steel
23	Set Screw	Stainless Steel ASTM A479
	Wire Seal	Stainless Steel/Lead
	Plug	Brass



# FIRE LION

G L O B A L