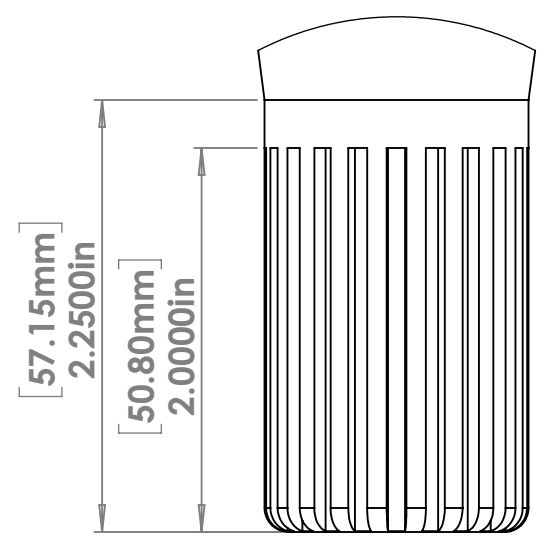
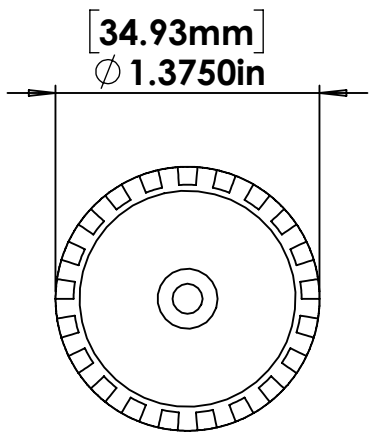
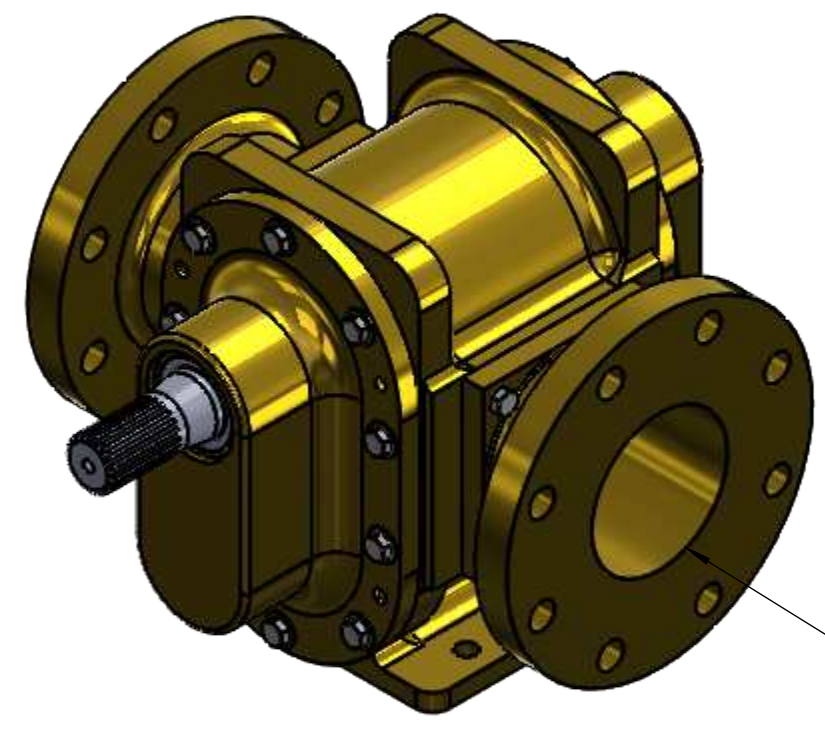
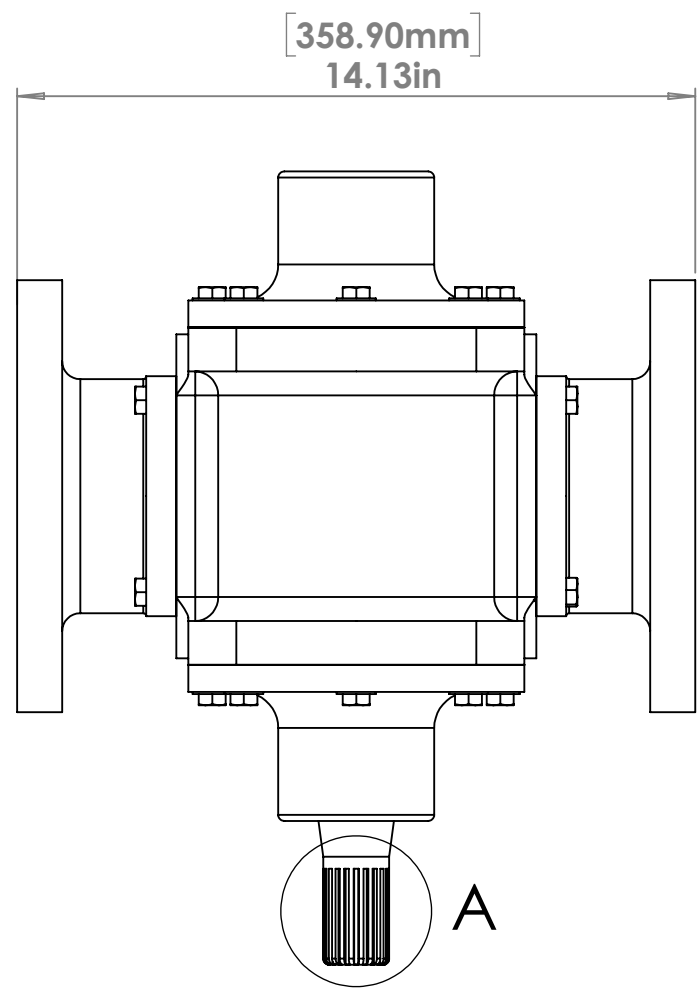


8 7 6 5 4 3 2 1

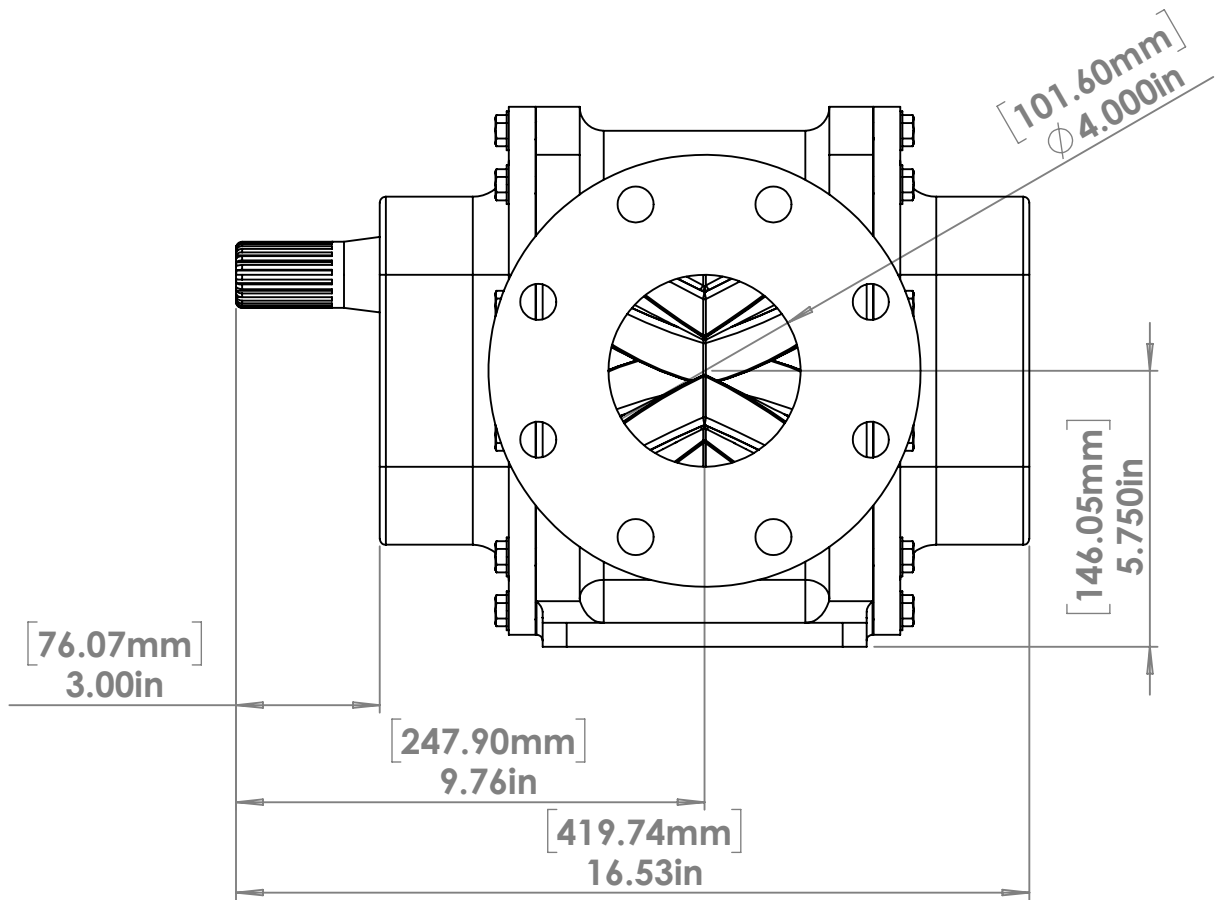
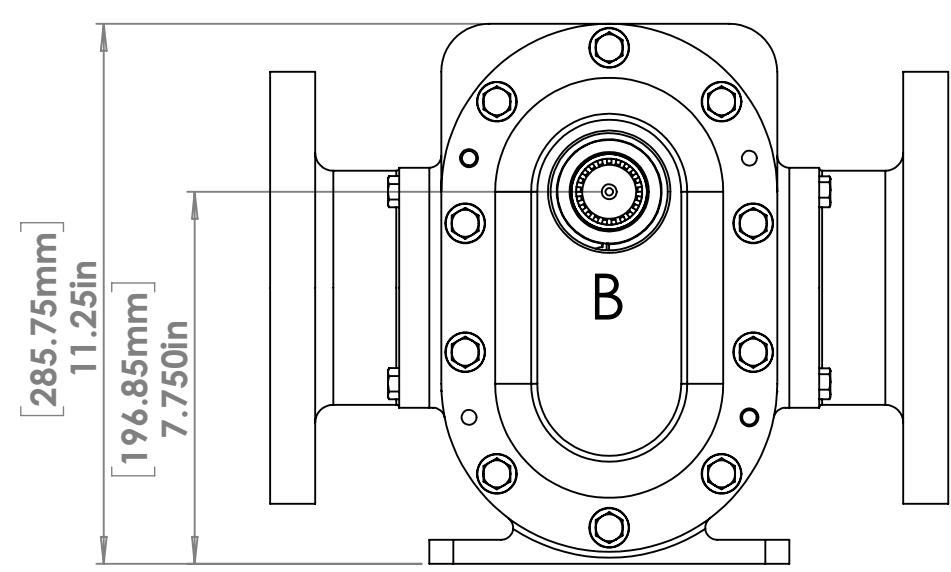
REVISIONS				
ZONE	REV.	DESCRIPTION	DATE	APPROVED
	A	APPROVED SUBMITTAL	11/08/2016	11/08/2016
	B	ALL HARDWARE ADDED TO MODEL.	09/07/2017	09/07/2017



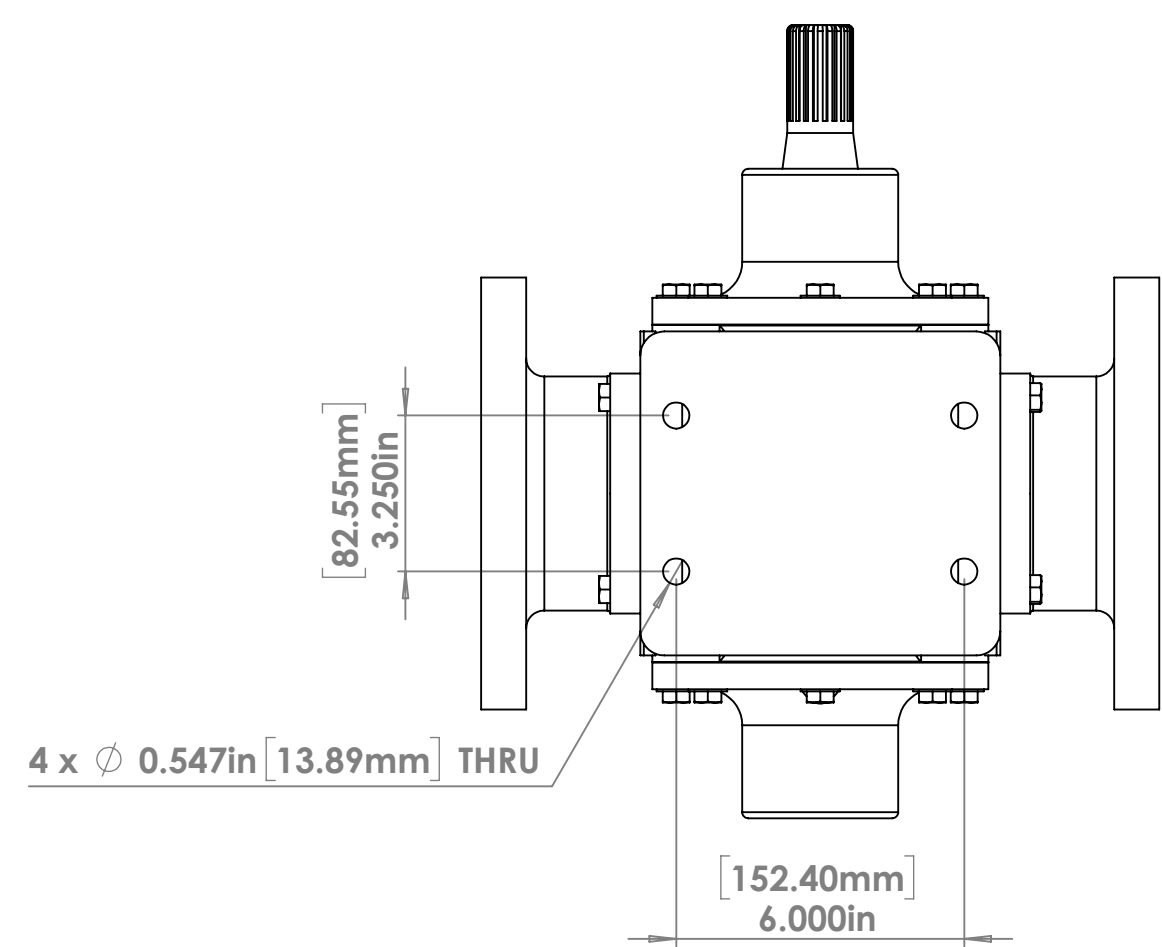
DETAIL A
SCALE 1:1



DETAIL B
SCALE 1:1



NOTE: The spline is a 21 tooth, 16/32 pitch, 30 degree, flat root, side fit, involute spline.



PROPRIETARY AND CONFIDENTIAL
THE INFORMATION CONTAINED IN THIS DRAWING IS THE SOLE PROPERTY OF FIRE LION GLOBAL LLC. ANY REPRODUCTION IN PART OR AS A WHOLE WITHOUT THE WRITTEN PERMISSION OF FIRE LION GLOBAL LLC IS PROHIBITED.

UNLESS OTHERWISE SPECIFIED: DIMENSIONS ARE IN INCHES [mm] TOLERANCES: FRACTIONAL: ±1/2 ANGULAR: MACH ±1 BEND ±2 TWO PLACE DECIMAL ±0.25 THREE PLACE DECIMAL ±0.125 FOUR PLACE DECIMAL ±0.0625		NAME	DATE
DRAWN	SK	09/07/17	
CHECKED	TR	09/07/17	
ENG APPR.			
MFG APPR.			
INTERPRET GEOMETRIC TOLERANCING PER:	Q.A.		
MATERIAL	COMMENTS:	FP4-350 PUMP ASSEMBLY WITH 150# FLANGE CONNECTORS AND SPLINE DRIVE SHAFT	
FINISH			
APPLICATION	DO NOT SCALE DRAWING		



TITLE: FP4-350 - Flange Spline ASSY		
SIZE	DWG. NO.	REV
C	FP4-350-0.1.1.0	B
SCALE: 1:4	WEIGHT:	SHEET 1 OF 1

8 7 6 5 4 3 2 1