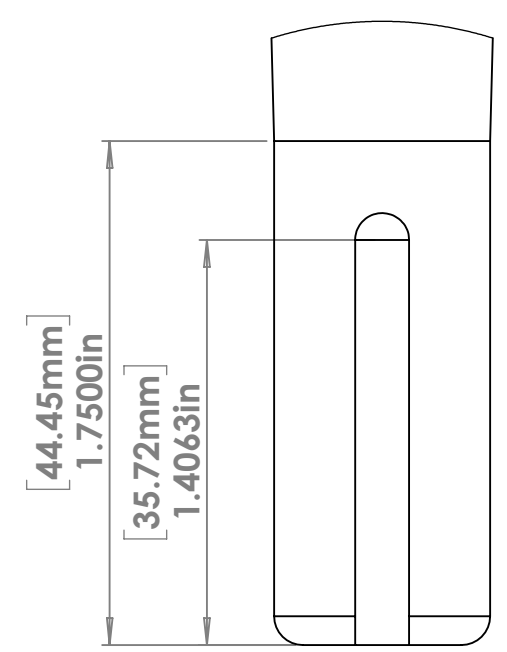
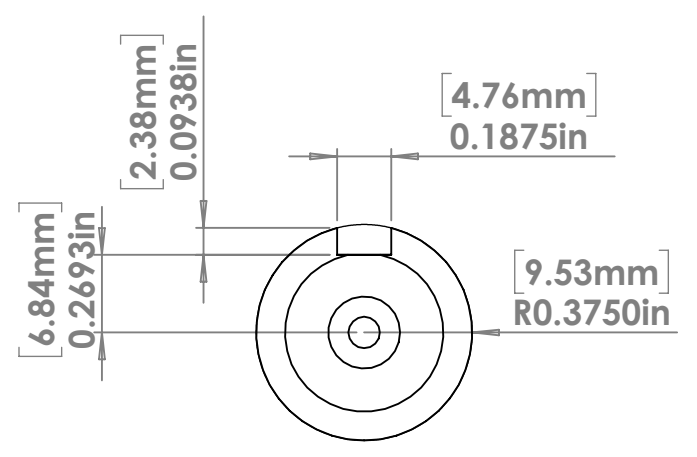
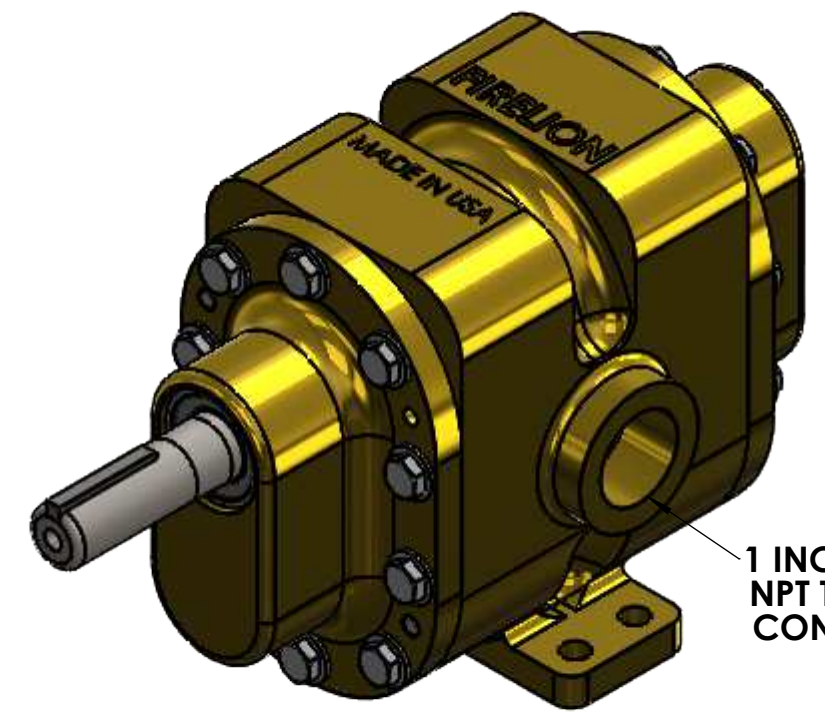
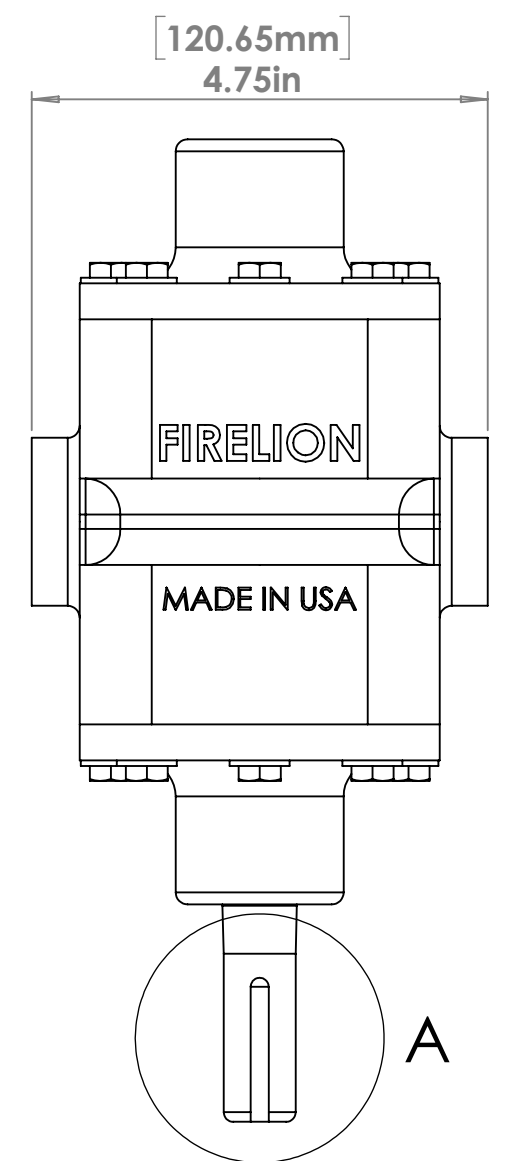


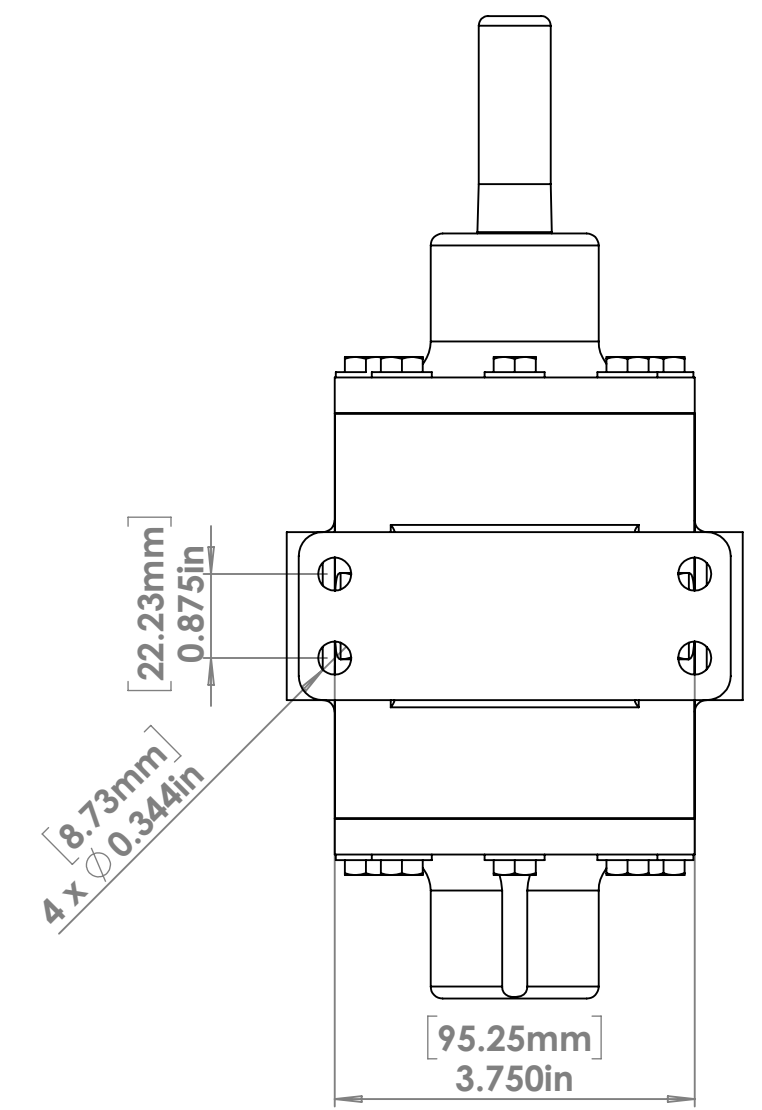
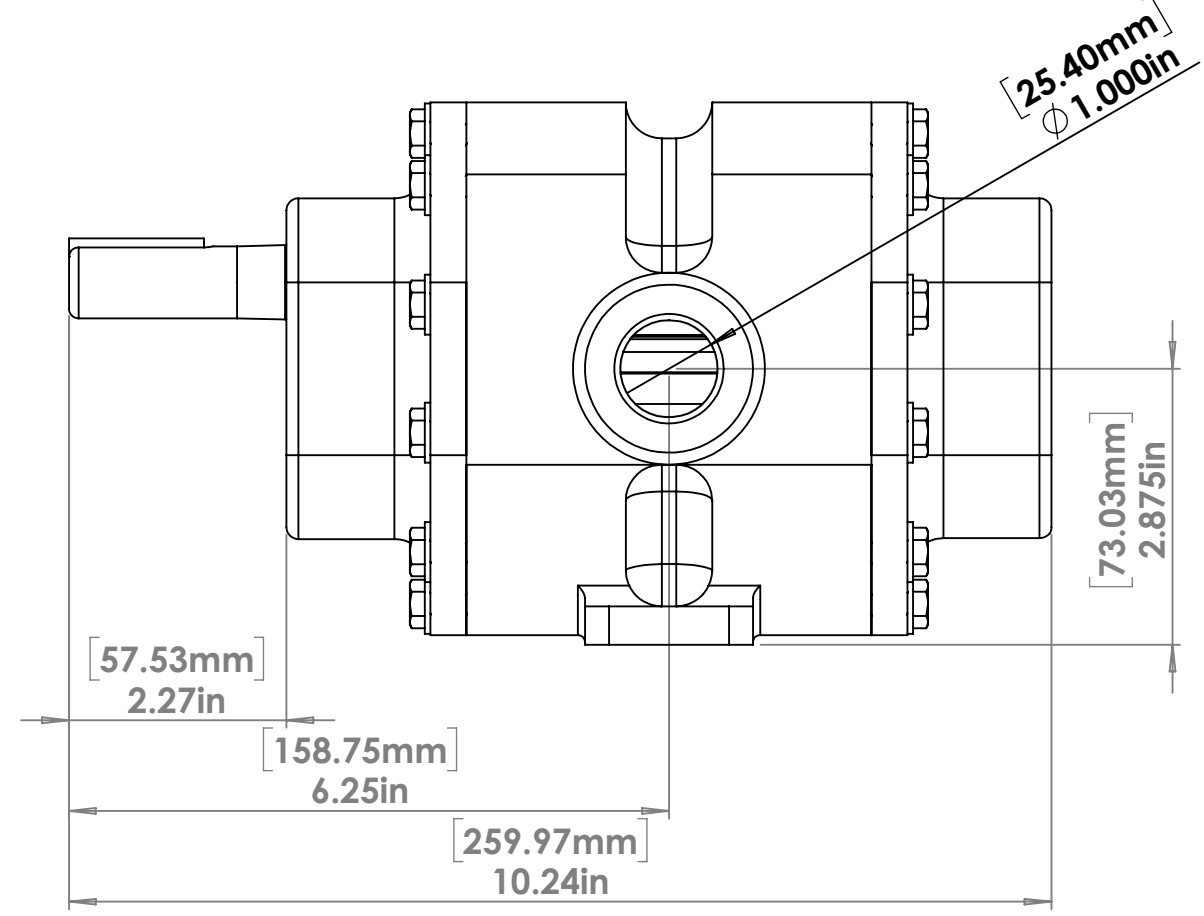
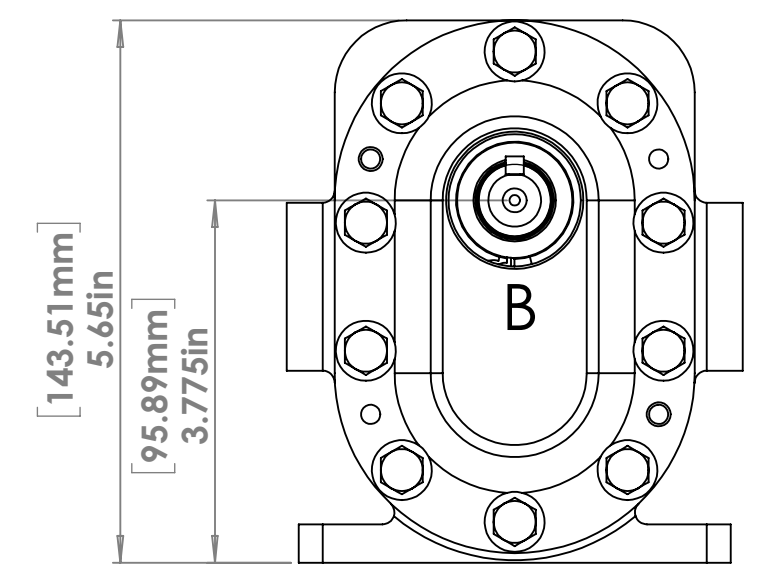
REVISIONS				
ZONE	REV.	DESCRIPTION	DATE	APPROVED
	A	APPROVED SUBMITTAL	05/11/2016	05/11/2016
2-D4	B	PART NUMBER OF ITEM NO. 10 (FP1_SEAL_O_RING) IN BOM ON PAGE 2 CHANGED FROM 026V75 TO 123V75.	07/18/2016	07/18/2016
2-D4	C	ITEM NO. 8 IN BOM ON PAGE 2 CHANGED TO FP1_SEAL_SPIRAL_SNAP_RING (PART NUMBER: DNH-35-S02).	01/31/2017	01/31/2017
2-C4	D	PART NUMBER OF ITEM NO. 17 IN BOM ON PAGE 2 CHANGED TO 154N90.	12/20/2017	12/20/2017



DETAIL A
SCALE 3:2



DETAIL B
SCALE 3:2



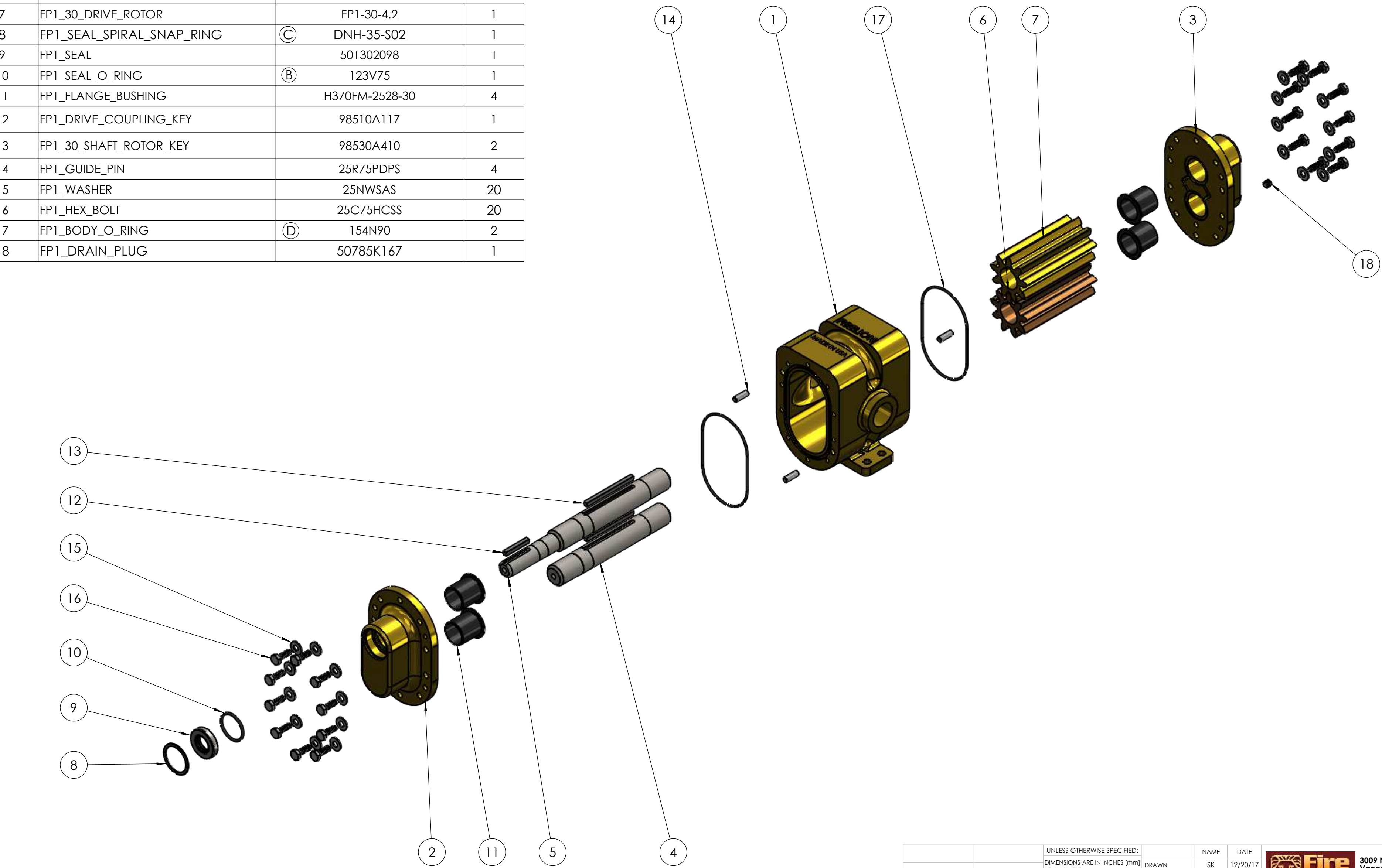
PROPRIETARY AND CONFIDENTIAL
THE INFORMATION CONTAINED IN THIS DRAWING IS THE SOLE PROPERTY OF FIRE LION GLOBAL LLC. ANY REPRODUCTION IN PART OR AS A WHOLE WITHOUT THE WRITTEN PERMISSION OF FIRE LION GLOBAL LLC IS PROHIBITED.

UNLESS OTHERWISE SPECIFIED: DIMENSIONS ARE IN INCHES [mm] TOLERANCES: FRACTIONAL ±1/2 ANGULAR: MACH ±1 BEND ±2 TWO PLACE DECIMAL ±0.25 THREE PLACE DECIMAL ±0.125 FOUR PLACE DECIMAL ±0.0625		DRAWN	SK	12/20/17
INTERPRET GEOMETRIC TOLERANCING PER: MATERIAL		CHECKED	TR	12/20/17
FINISH		ENG APPR.		
APPLICATION		MFG APPR.		
DO NOT SCALE DRAWING		Q.A.		
		COMMENTS:	FP1-30 PUMP ASSEMBLY WITH 1 INCH FEMALE NPT CONNECTIONS AND KEY DRIVE SHAFT	



TITLE: FP1-30 - Pump Assembly		
SIZE	DWG. NO.	REV
C	FP1-30-0.0.0.0	D
SCALE: 1:2	WEIGHT:	SHEET 1 OF 2

ITEM NO.	DESCRIPTION	PART NUMBER	QTY.
1	FP1_30_BODY_(MACHINE)	FP1-30-2.1	1
2	FP1_FRONT_ENDCOVER_(MACHINE)	FP1-2.2	1
3	FP1_BACK_ENDCOVER_(MACHINE)	FP1-2.3	1
4	FP1_30_IDLE_SHAFT_(GRIND)	FP1-30-1.1	1
5	FP1_30_DRIVE_SHAFT_(GRIND)	FP1-30-1.2	1
6	FP1_30_IDLE_ROTOR	FP1-30-4.1	1
7	FP1_30_DRIVE_ROTOR	FP1-30-4.2	1
8	FP1_SEAL_SPIRAL_SNAP_RING	(C) DNH-35-S02	1
9	FP1_SEAL	501302098	1
10	FP1_SEAL_O_RING	(B) 123V75	1
11	FP1_FLANGE_BUSHING	H370FM-2528-30	4
12	FP1_DRIVE_COUPLING_KEY	98510A117	1
13	FP1_30_SHAFT_ROTOR_KEY	98530A410	2
14	FP1_GUIDE_PIN	25R75PDPS	4
15	FP1_WASHER	25NWSAS	20
16	FP1_HEX_BOLT	25C75HCSS	20
17	FP1_BODY_O_RING	(D) 154N90	2
18	FP1_DRAIN_PLUG	50785K167	1



PROPRIETARY AND CONFIDENTIAL
 THE INFORMATION CONTAINED IN THIS DRAWING IS THE SOLE PROPERTY OF FIRE LION GLOBAL LLC. ANY REPRODUCTION IN PART OR AS A WHOLE WITHOUT THE WRITTEN PERMISSION OF FIRE LION GLOBAL LLC IS PROHIBITED.

UNLESS OTHERWISE SPECIFIED:		NAME	DATE
DIMENSIONS ARE IN INCHES [mm]		DRAWN	SK 12/20/17
TOLERANCES:		CHECKED	TR 12/20/17
FRACTIONAL ±		ENG APPR.	
ANGULAR: MACH ± BEND ±		MFG APPR.	
TWO PLACE DECIMAL ±		Q.A.	
THREE PLACE DECIMAL ±		COMMENTS:	
FOUR PLACE DECIMAL ±		FP1-30 EXPLODED VIEW	
INTERPRET GEOMETRIC TOLERANCING PER:		SIZE	DWG. NO.
MATERIAL		C	FP1-30-0.0.0.0
FINISH		REV	D
NEXT ASSY	USED ON	SCALE: 1:3 WEIGHT: SHEET 2 OF 2	
APPLICATION		DO NOT SCALE DRAWING	



TITLE:
 FP1-30 Exploded View