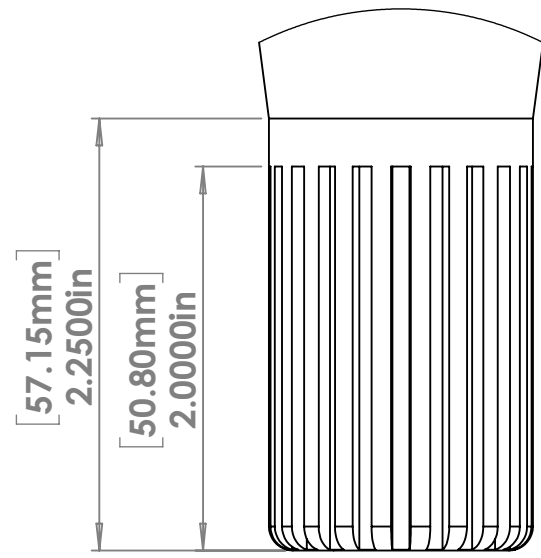
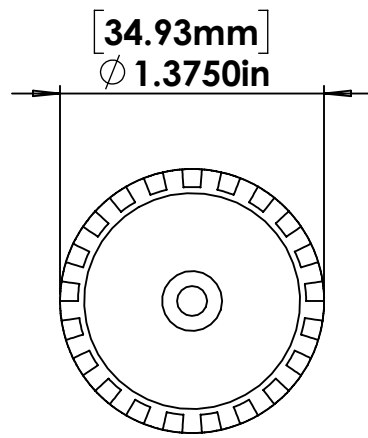
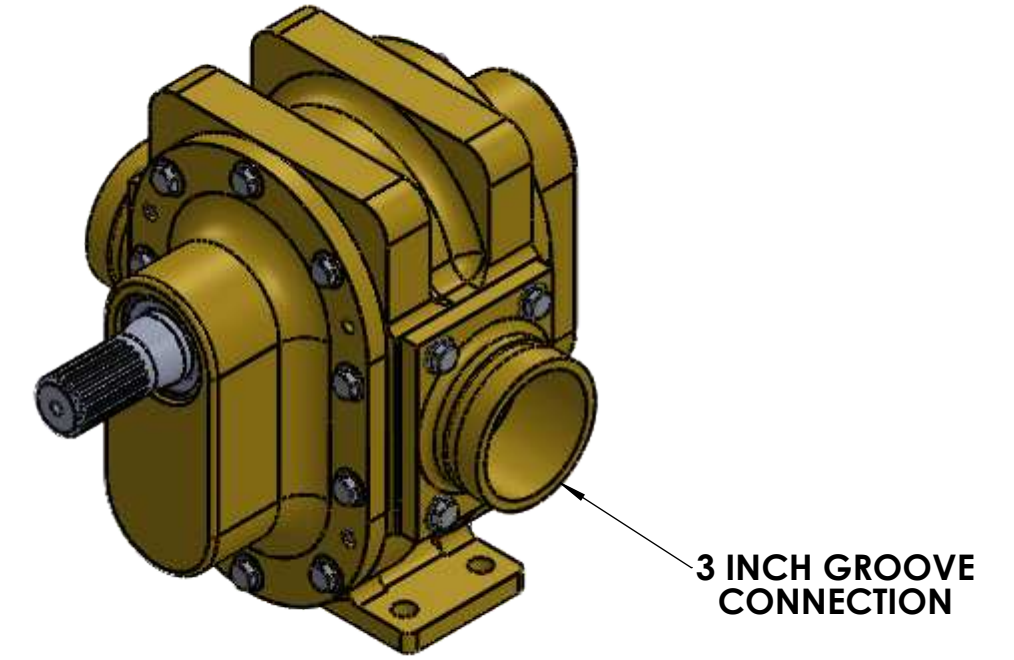
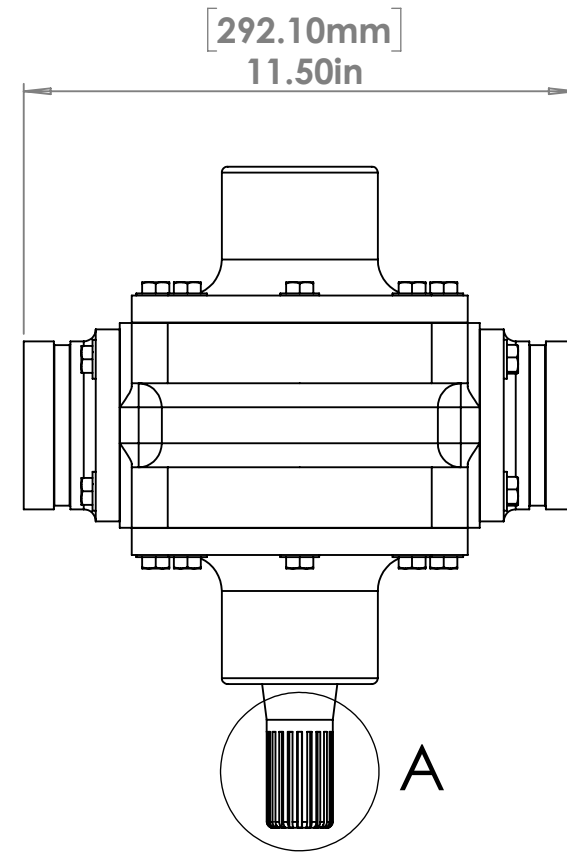


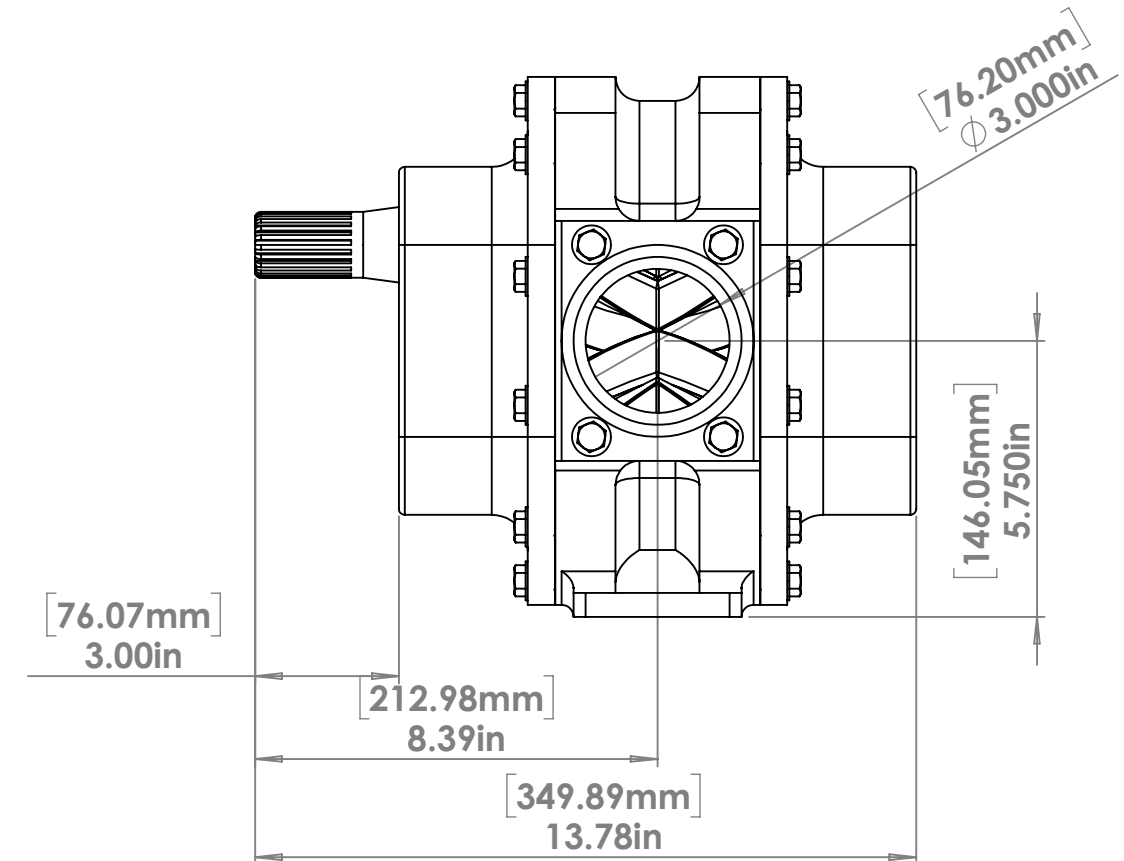
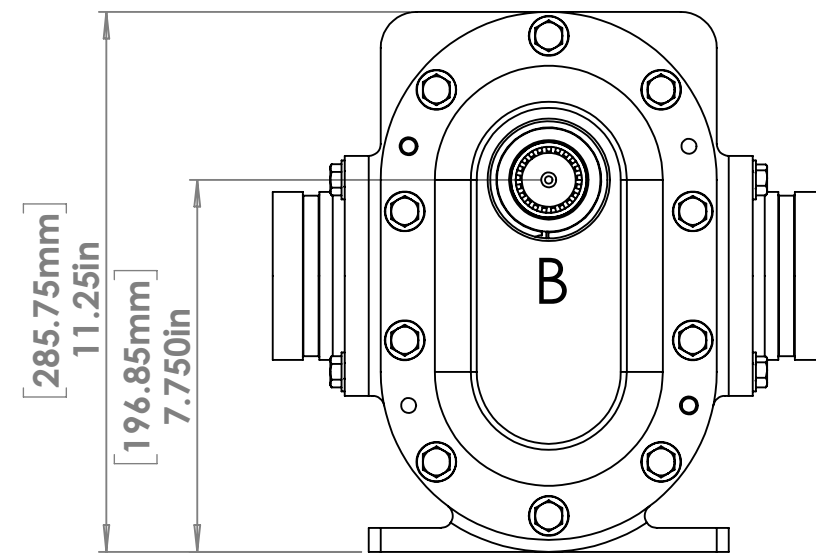
REVISIONS				
ZONE	REV.	DESCRIPTION	DATE	APPROVED
	A	APPROVED SUBMITTAL	11/08/2016	11/08/2016
	B	ALL HARDWARE ADDED TO MODEL.	09/01/2017	09/01/2017



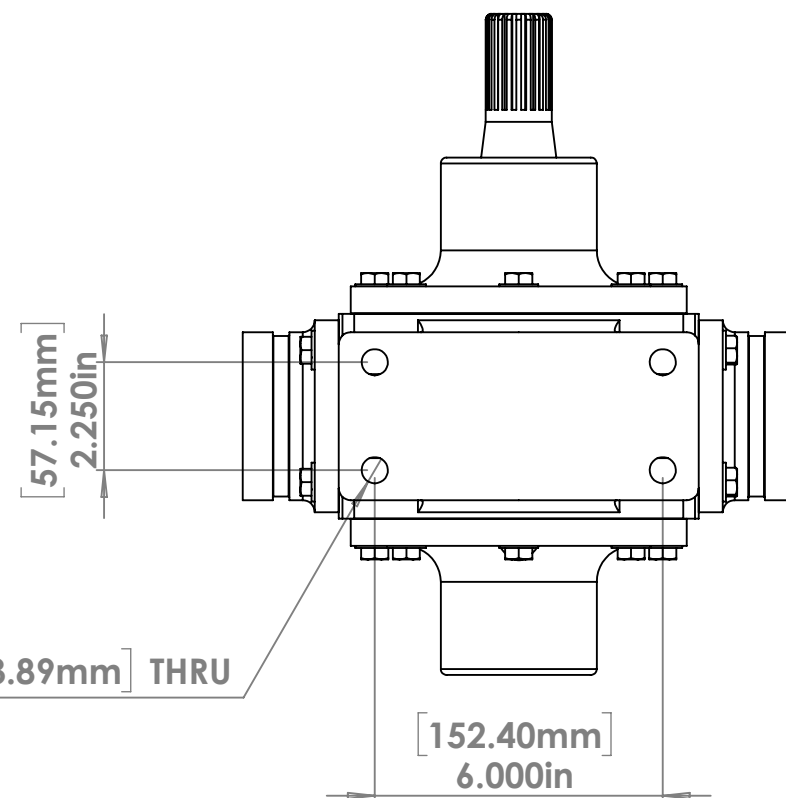
DETAIL A
SCALE 1 : 1



DETAIL B
SCALE 1 : 1



NOTE: The spline is a 21 tooth, 16/32 pitch, 30 degree, flat root, side fit, involute spline.



PROPRIETARY AND CONFIDENTIAL
THE INFORMATION CONTAINED IN THIS DRAWING IS THE SOLE PROPERTY OF FIRE LION GLOBAL LLC. ANY REPRODUCTION IN PART OR AS A WHOLE WITHOUT THE WRITTEN PERMISSION OF FIRE LION GLOBAL LLC IS PROHIBITED.

UNLESS OTHERWISE SPECIFIED:		NAME	DATE
DIMENSIONS ARE IN INCHES [mm]		DRAWN	SK 09/01/17
TOLERANCES:		CHECKED	TR 09/01/17
FRACTIONAL ±1/2		ENG APPR.	
ANGULAR: MACH ±1 BEND ±2		MFG APPR.	
TWO PLACE DECIMAL ±0.25		Q.A.	
THREE PLACE DECIMAL ±0.125		COMMENTS:	
FOUR PLACE DECIMAL ±0.0625		FP3-200 PUMP ASSEMBLY WITH GROOVE CONNECTORS AND SPLINE DRIVE SHAFT	
INTERPRET GEOMETRIC TOLERANCING PER:	FINISH	APPLICATION	DO NOT SCALE DRAWING



TITLE: FP3-200 - Groove Spline ASSY
SIZE DWG. NO. REV
C FP3-200-0.2.1.0 **B**
SCALE: 1:4 WEIGHT: SHEET 1 OF 1