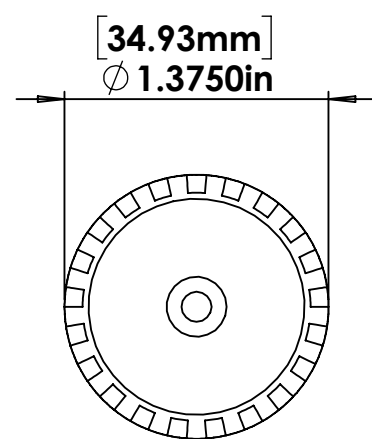
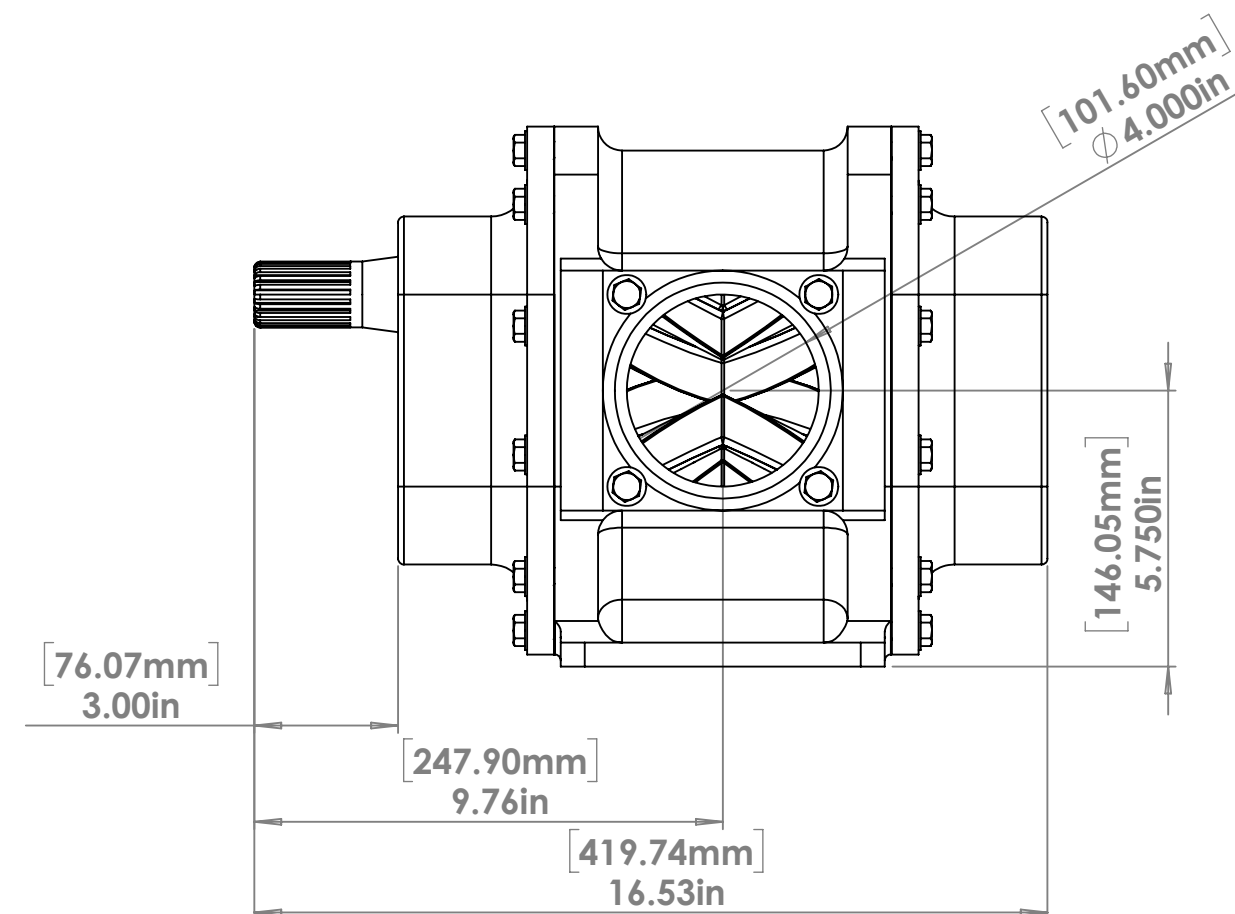
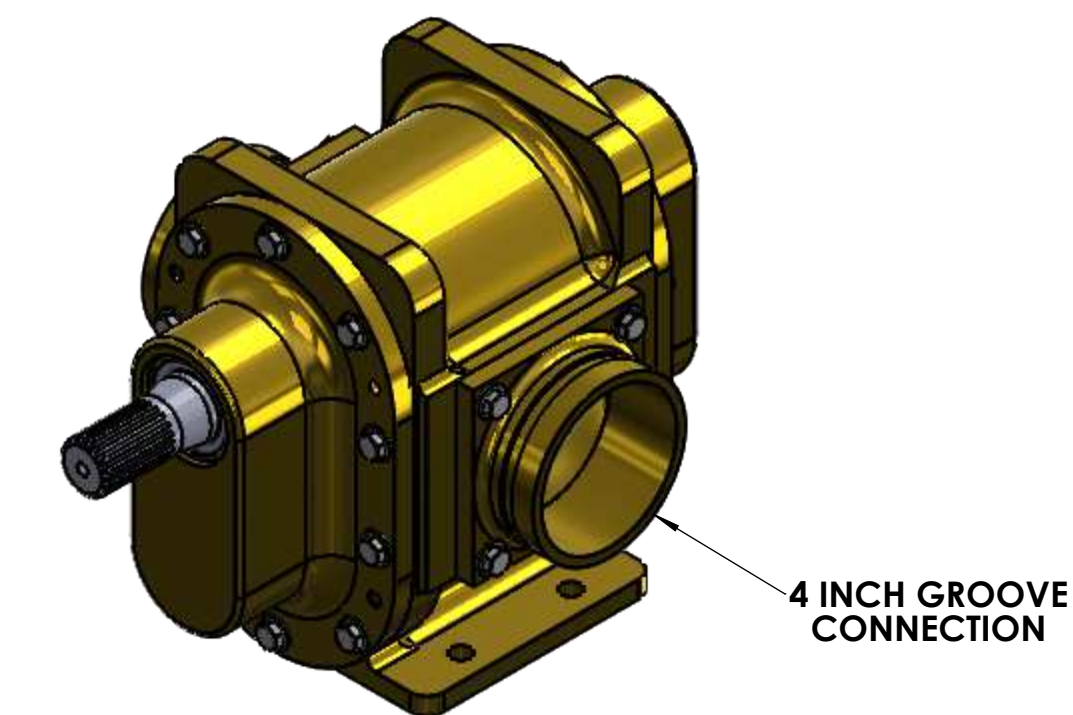
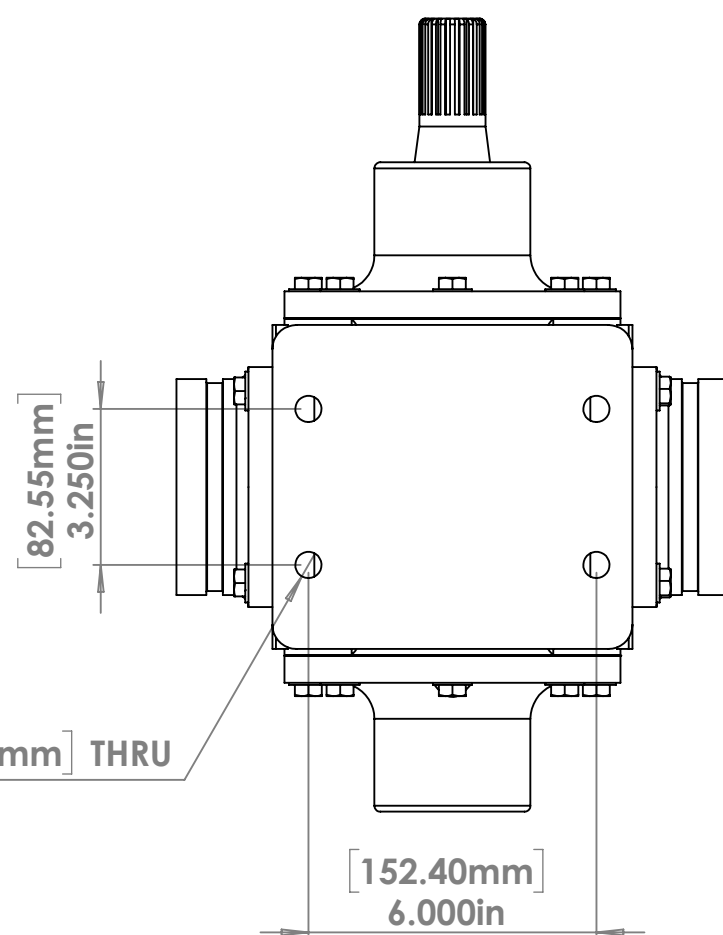
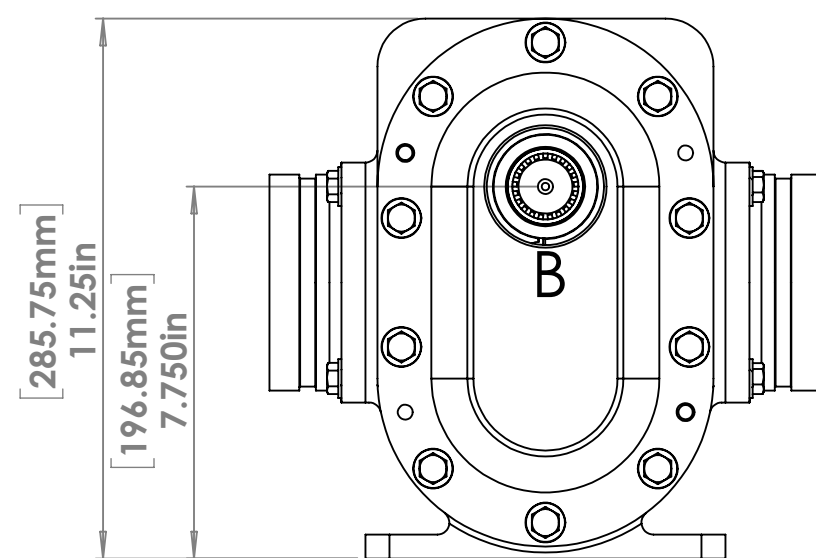
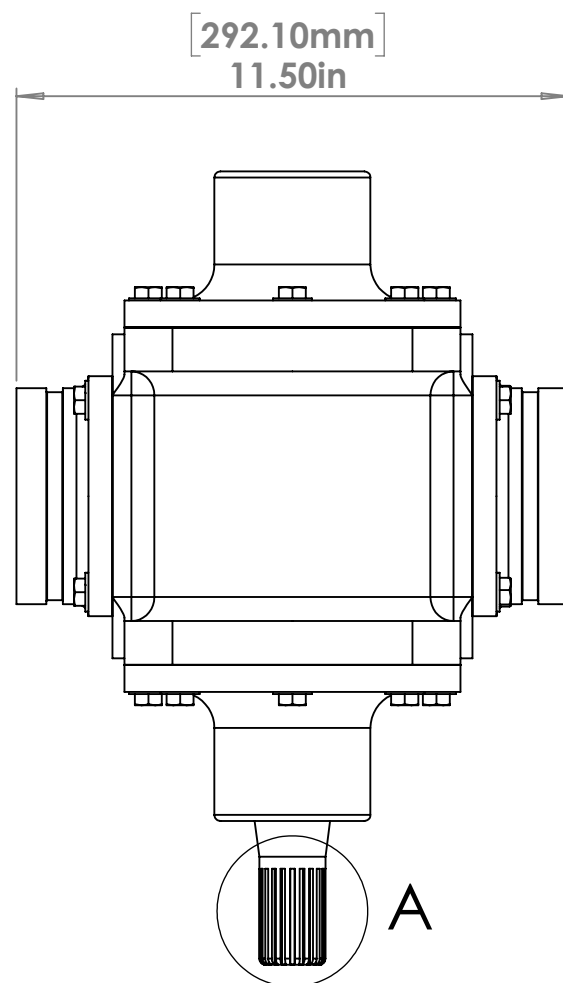


DETAIL A
SCALE 1 : 1



DETAIL B
SCALE 1 : 1

NOTE: The spline is a 21 tooth, 16/32 pitch, 30 degree, flat root, side fit, involute spline.



REVISIONS				
ZONE	REV.	DESCRIPTION	DATE	APPROVED
	A	APPROVED SUBMITTAL	11/08/2016	11/08/2016
	B	ALL HARDWARE ADDED TO MODEL.	09/07/2017	09/07/2017

PROPRIETARY AND CONFIDENTIAL
THE INFORMATION CONTAINED IN THIS DRAWING IS THE SOLE PROPERTY OF FIRE LION GLOBAL LLC. ANY REPRODUCTION IN PART OR AS A WHOLE WITHOUT THE WRITTEN PERMISSION OF FIRE LION GLOBAL LLC IS PROHIBITED.

UNLESS OTHERWISE SPECIFIED: DIMENSIONS ARE IN INCHES [mm] TOLERANCES: FRACTIONAL ±1/2 ANGULAR: MACH ±1 BEND ±2 TWO PLACE DECIMAL ±0.25 THREE PLACE DECIMAL ±0.125 FOUR PLACE DECIMAL ±0.0625	DRAWN SK 09/07/17	NAME SK	DATE 09/07/17
INTERPRET GEOMETRIC TOLERANCING PER: MATERIAL	CHECKED TR 09/07/17	ENG APPR. MFG APPR.	
FINISH	Q.A. COMMENTS: FP4-350 PUMP ASSEMBLY WITH GROOVE CONNECTORS AND SPLINE DRIVE SHAFT		
APPLICATION	DO NOT SCALE DRAWING		



TITLE:
FP4-350 - Groove Spline ASSY
SIZE DWG. NO. REV
C FP4-350-0.2.1.0 B
SCALE: 1:4 WEIGHT: SHEET 1 OF 1