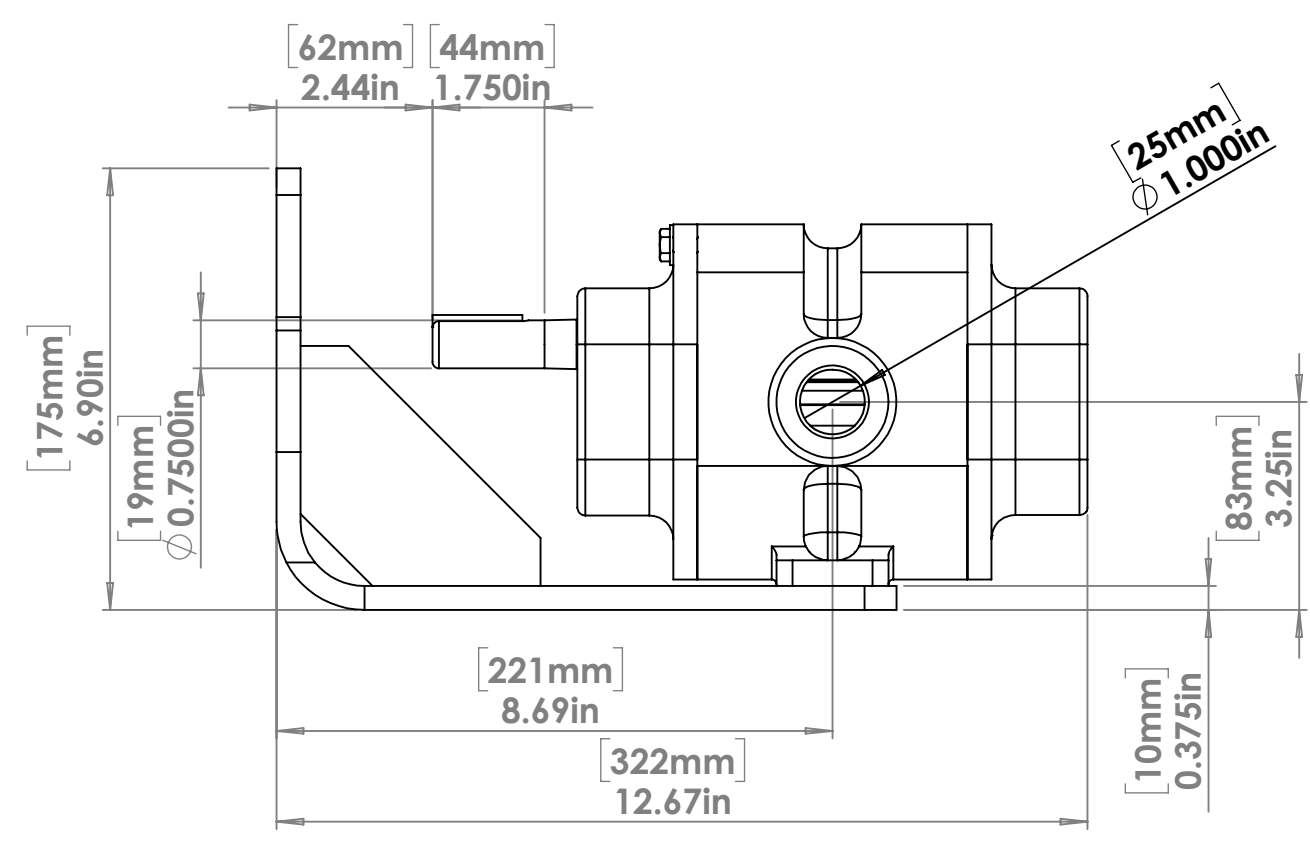
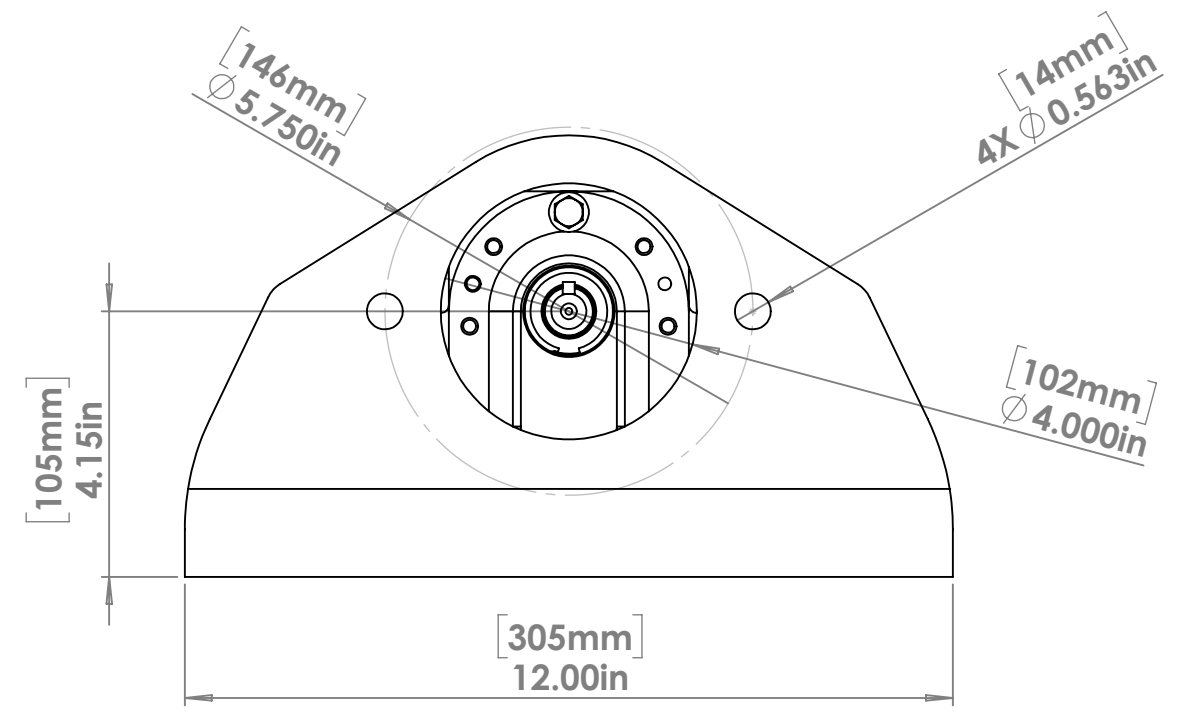
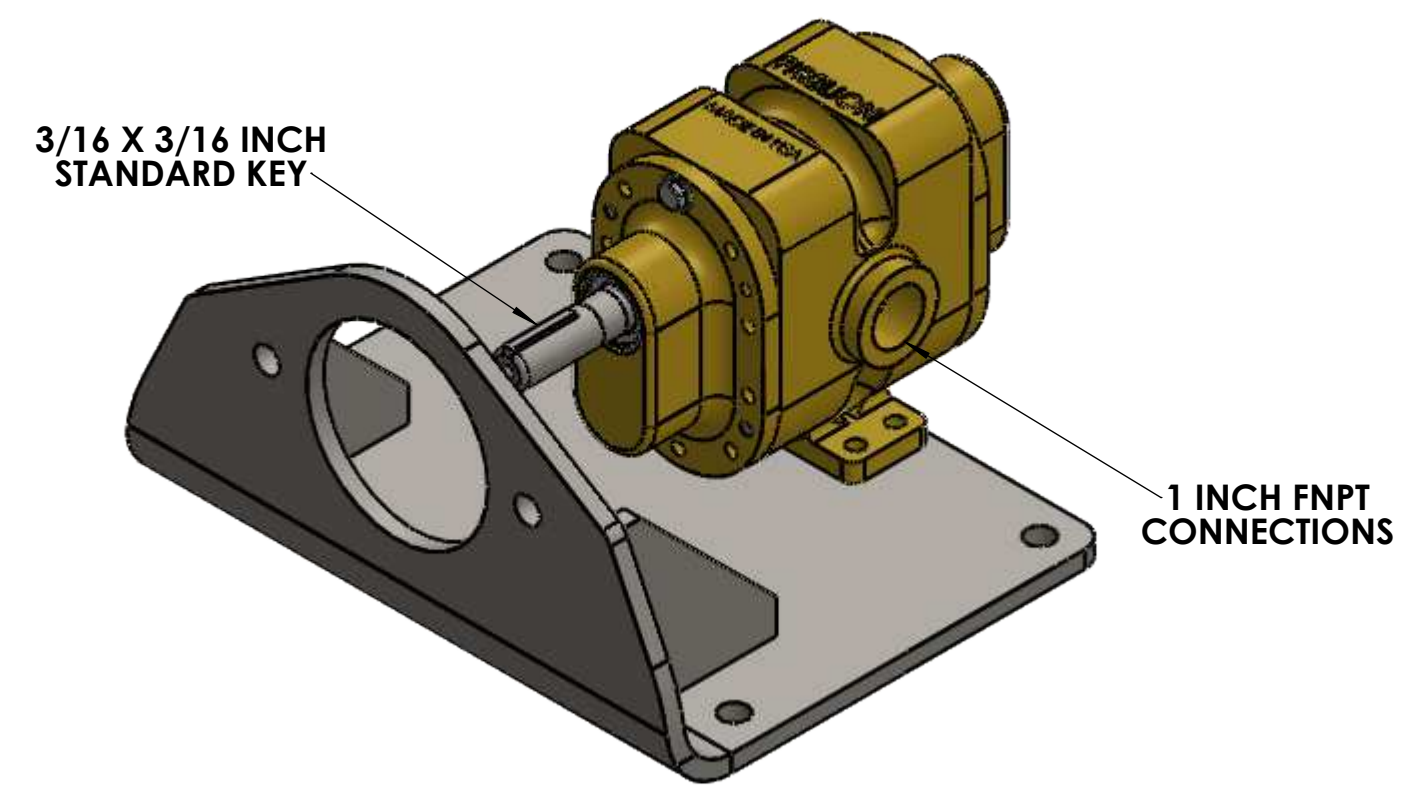
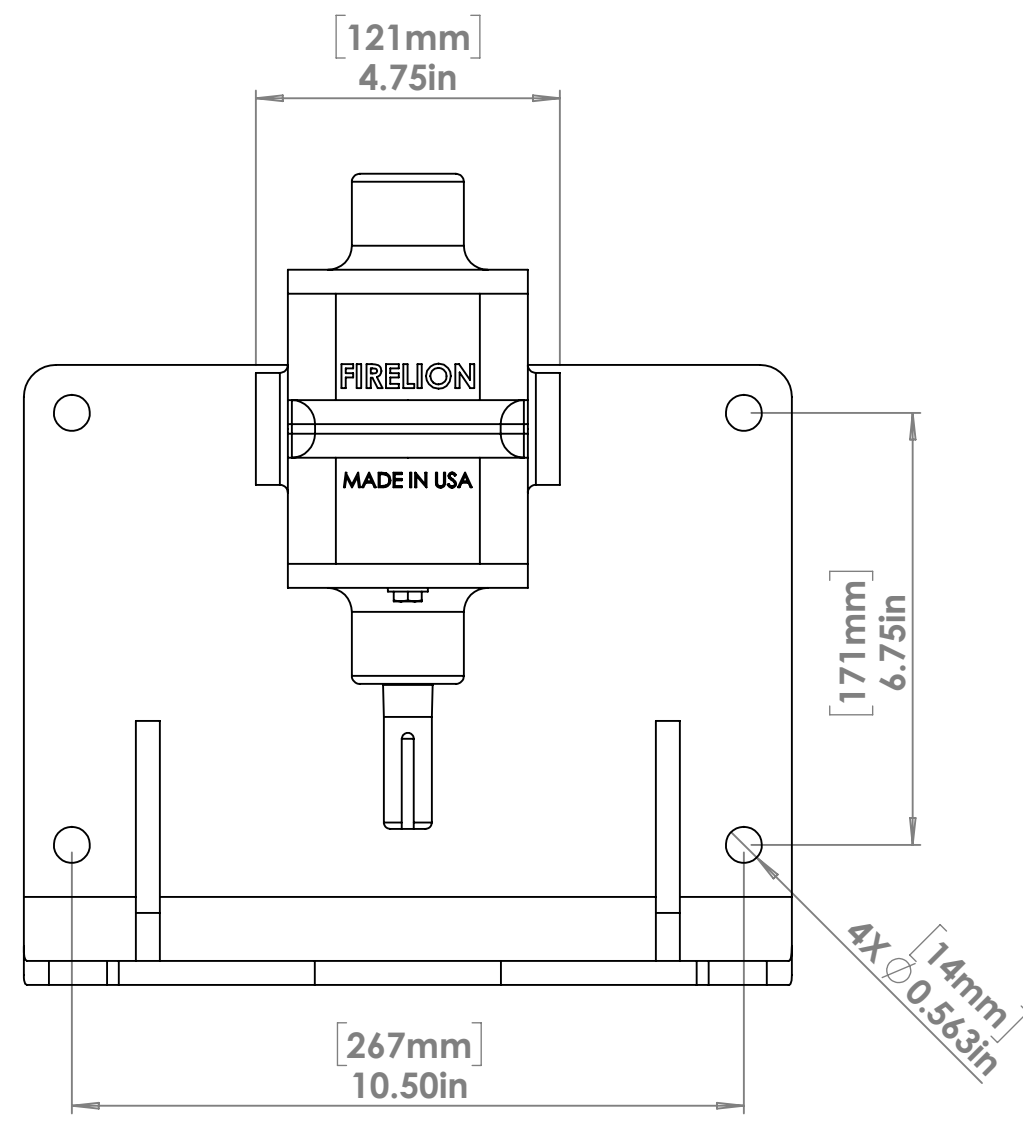


REVISIONS				
ZONE	REV.	DESCRIPTION	DATE	APPROVED
	A	APPROVED SUBMITTAL	10/28/2016	10/28/2016



NOTES

1. HYDRAULIC DRIVE BRACKET IS DESIGNED FOR USE WITH THE 'SAE B' SIZED HYDRAULIC MOTORS.
2. OTHER OPTIONS EXIST - PLEASE CONTACT FIRE LION.

PROPRIETARY AND CONFIDENTIAL
THE INFORMATION CONTAINED IN THIS DRAWING IS THE SOLE PROPERTY OF FIRE LION GLOBAL LLC. ANY REPRODUCTION IN PART OR AS A WHOLE WITHOUT THE WRITTEN PERMISSION OF FIRE LION GLOBAL LLC IS PROHIBITED.

UNLESS OTHERWISE SPECIFIED:		NAME	DATE
DIMENSIONS ARE IN INCHES [mm]		DRAWN	SK 10/28/16
TOLERANCES:		CHECKED	TR 10/28/16
FRACTIONAL: ±1/4		ENG APPR.	
ANGULAR: MACH ±1		MFG APPR.	
BEND ±1		Q.A.	
TWO PLACE DECIMAL ±0.125		COMMENTS:	
THREE PLACE DECIMAL ±0.010		FP1-30 - PUMP ASSEMBLY -	
FOUR PLACE DECIMAL ±0.005		FNPT CONNECTORS -	
INTERPRET GEOMETRIC TOLERANCING PER:		KEY SHAFT - HYDRAULIC	
MATERIAL:		2 BOLT SAE B	
FINISH:		DRIVE BRACKET	
NEXT ASSY	USED ON	SCALE: 1:3	WEIGHT:
APPLICATION		SHEET 1 OF 1	



TITLE:
FP1-30 - 2 BOLT BRKT ASSY

SIZE DWG. NO. REV
C FP1-30-0.0.0.4 A